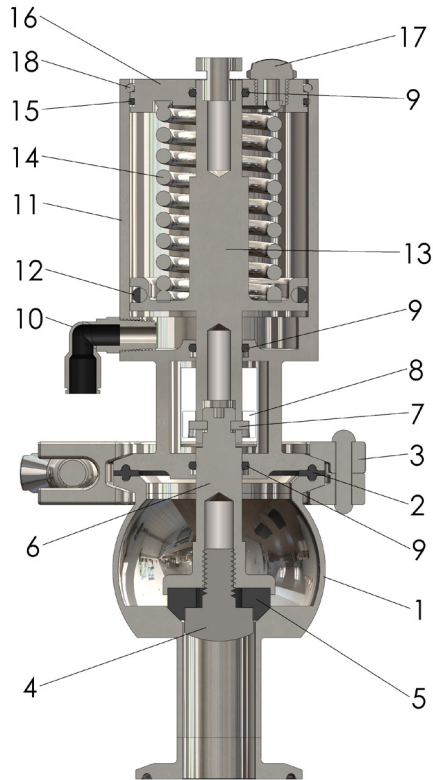




Dixon Sanitary SV-Series Single Seat Hygienic Valves

SV-Series 1" Single Body Valve - Air to Raise

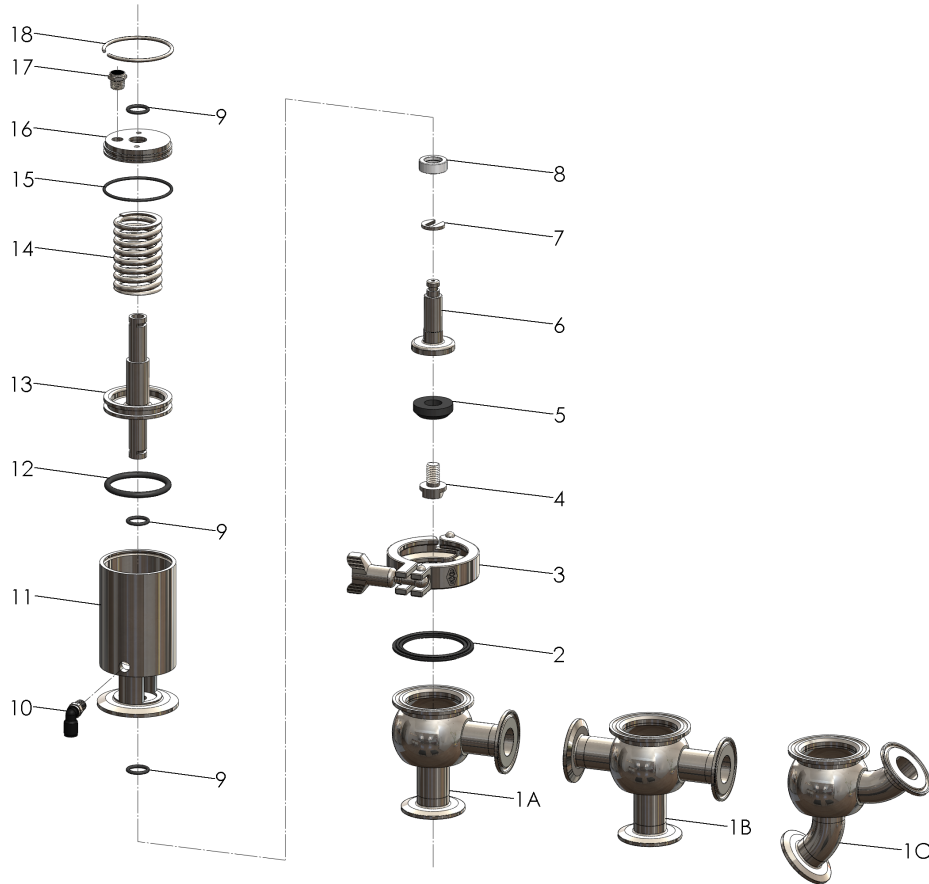


Bill of Materials

Item No.	Qty	Description	Part #
1A	1	Lower Body "L"	SV-LBLC100
1B	1	Lower Body "T"	SV-LBTC100
1C	1	Lower Body "Y"	SV-LBYC100
2	1	Gasket	40MP-E200
3	1	Clamp	13MHHM200SN
4	1	Seat Bolt	SV-SB100
5	1	Seat Seal	SV-KE100
6	1	Short Pneumatic Stem	SV-SSPR100
7	1	Actuator U-Clip	SV-AU100
8	1	Actuator Ring	SV-AR100
9	3	Stem O-Ring	SV-OTE100
10	1	Air Fitting	31095611
11	1	Actuator Cylinder	SV-AC100
12	1	Piston O-Ring	SV-OPE100
13	1	Actuator Piston	SV-AP100
14	1	Actuator Spring	SV-AS100
15	1	Cover O-Ring	SV-OCE100
16	1	Actuator Cover	SV-AD100
17	1	Air Filter	SV-AF100400
18	1	Actuator Wire	SV-AW100

For "Y" Body change item #3 to Part #13WGC200

SV-Series 1" Single Body Valve - Air to Raise



Bill of Materials

Item No.	Qty	Description	Part #
1A	1	Lower Body "L"	SV-LBLC100
1B	1	Lower Body "T"	SV-LBTC100
1C	1	Lower Body "Y"	SV-LBYC100
2	1	Gasket	40MP-E200
3	1	Clamp	13MHM200SN
4	1	Seat Bolt	SV-SB100
5	1	Seat Seal	SV-KE100
6	1	Short Pneumatic Stem	SV-SSPR100
7	1	Actuator U-Clip	SV-AU100
8	1	Actuator Ring	SV-AR100
9	3	Stem O-Ring	SV-OTE100
10	1	Air Fitting	31095611
11	1	Actuator Cylinder	SV-AC100
12	1	Piston O-Ring	SV-OPE100
13	1	Actuator Piston	SV-AP100
14	1	Actuator Spring	SV-AS100
15	1	Cover O-Ring	SV-OCE100
16	1	Actuator Cover	SV-AD100
17	1	Air Filter	SV-AF100400
18	1	Actuator Wire	SV-AW100

For "Y" Body change item #3 to Part #13WGC200

Dixon Sanitary

N25 W23040 Paul Road • Pewaukee, WI 53072
 ph: 800.789.1718 • 262.513.6900 • fx: 800.789.4046 • 262.513.4904
dixonvalve.com