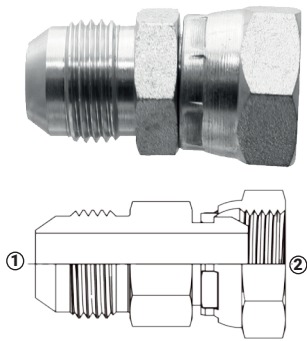


**Adaptadores Hidráulicos - Rosca Británica**

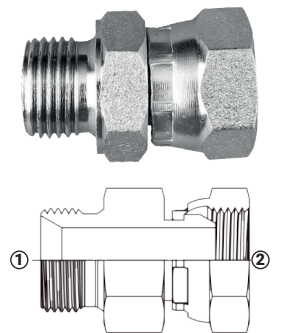
**Serie B3504 - Macho JIC 37° x Hembra BSPP Giratoria**



(1) Macho JIC  
(2) Hembra BSPP giratoria

Rosca Macho JIC	Rosca Hembra BSPP Giratoria	Acero al Carbón Zincado # de Parte	PSI
7/16"-20	1/8"-18	B3504-4-2	5000
7/16"-20	1/4"-19	B3504-4-4	4000
9/16"-18	1/4"-19	B3504-6-4	4000
9/16"-18	3/8"-19	B3504-6-6	3000
9/16"-18	1/2"-14	B3504-6-8	3000
3/4"-16	3/8"-19	B3504-8-6	3000
3/4"-16	1/2"-14	B3504-8-8	3000
3/4"-16	5/8"-14	B3504-8-10	2500
7/8"-14	1/2"-14	B3504-10-8	3000
7/8"-14	5/8"-14	B3504-10-10	2500
1 1/16"-12	3/4"-14	B3504-12-12	2500
1 1/16"-12	1"-11	B3504-12-16	2500
1 5/16"-12	1"-11	B3504-16-16	2500
1 5/8"-12	1 1/4"-11	B3504-20-20	1150

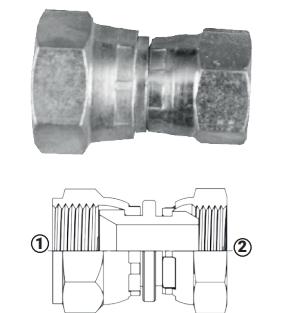
**Serie B3505 - Macho BSPP x Hembra BSPP Giratoria**



(1) Macho BSPP  
(2) Hembra BSPP giratoria

Rosca Macho BSPP	Rosca Hembra BSPP	Acero al Carbón Zincado # de Parte	PSI
1/4"-19	1/4"-19	B3505-4-4	4000
3/8"-19	3/8"-19	B3505-6-6	3000
1/2"-14	1/2"-14	B3505-8-8	3000
3/4"-14	3/4"-14	B3505-12-12	2500
1"-11	1"-11	B3505-16-16	2500

**Serie B3506 - Hembra BSPP Giratoria x Hembra JIC 37° Giratoria**



(1) Hembra BSPP giratoria  
(2) Hembra JIC giratoria

Rosca Hembra BSPP Giratoria	Rosca Hembra JIC Giratoria	Acero al Carbón Zincado # de Parte	PSI
1/4"-19	7/16"-20	B3506-4-4	4000
3/8"-19	9/16"-18	B3506-6-6	3000
1/2"-14	3/4"-16	B3506-8-8	3000
3/4"-14	1 1/16"-12	B3506-12-12	2500
1"-11	1 5/16"-12	B3506-16-16	2500