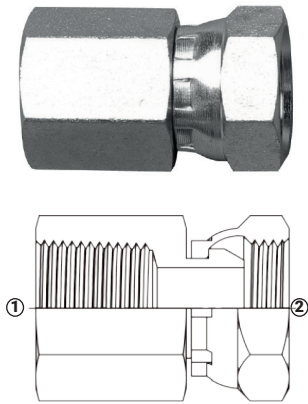


Adaptadores Hidráulicos - Rosca Hembra NPSM

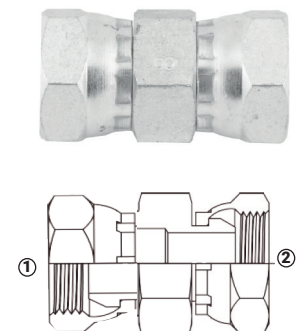
Serie 1405 - Hembra NPTF x Hembra NPSM Giratoria



(1) Hembra NPTF
(2) Hembra NPSM giratoria
SAE 140131

Rosca Hembra NPTF	Rosca Hembra NPSM	Acero al Carbón Zincado # de Parte	PSI
1/8"-27	1/8"-27	1405-2-2	5000
1/8"-27	1/4"-18	1405-2-4	5000
1/4"-18	1/8"-27	1405-4-2	5000
1/4"-18	1/4"-18	1405-4-4	5000
1/4"-18	3/8"-18	1405-4-6	4000
3/8"-18	1/4"-18	1405-6-4	4000
3/8"-18	3/8"-18	1405-6-6	4000
3/8"-18	1/2"-14	1405-6-8	3500
1/2"-14	1/4"-18	1405-8-4	3000
1/2"-14	3/8"-18	1405-8-6	3000
1/2"-14	1/2"-14	1405-8-8	3000
3/4"-14	1/2"-14	1405-12-8	2500
3/4"-14	3/4"-14	1405-12-12	2250
3/4"-14	1"- 11 1/2	1405-12-16	2000
1"- 11 1/2	3/4"-14	1405-16-12	2000
1"- 11 1/2	1"- 11 1/2	1405-16-16	2000
1 1/4" - 11 1/2	1 1/4" - 11 1/2	1405-20-20	1150
1 1/2" -11 1/2	1 1/2" -11 1/2	1405-24-24	1000
2"-11 1/2	2"-11 1/2	1405-32-32	1000

Serie 1406 - Unión Hembra NPSM Giratoria



(1) Hembra NPSM giratoria
(2) Hembra NPSM giratoria

Rosca Hembra NPSM	Rosca Hembra NPSM	Acero al Carbón Zincado # de Parte	PSI
1/4"-18	1/4"-18	1406-4-4	5000
3/8"-18	3/8"-18	1406-6-6	4000
1/2"-14	1/2"-14	1406-8-8	3000
3/4"-14	3/4"-14	1406-12-12	2250
1"- 11 1/2	1"- 11 1/2	1406-16-16	2000