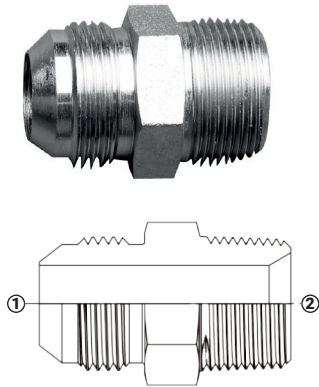


Adaptadores Hidráulicos - Rosca JIC 37°

Serie 2404 - Unión Macho JIC 37° x Macho NPTF



(1) Macho JIC 37°
(2) Macho NPTF
SAE 070102

Rosca Macho JIC	Rosca Macho NPTF	Acero al Carbón Zincado # de Parte	PSI
7/16"-20	1/8"-27	2404-4-2	5000
3/8"-24	1/8"-27	2404-3-2	5000
7/16"-20	1/8"-27	2404-4-2	5000
7/16"-20	3/8"-18	2404-4-6	4000
7/16"-20	1/4"-18	2404-4-4	5000
7/16"-20	1/2"-14	2404-4-8	3000
7/16"-20	3/4"-14	2404-4-12	2500
1/2"-20	1/8"-27	2404-5-2	5000
1/2"-20	1/4"-18	2404-5-4	5000
1/2"-20	3/8"-18	2404-5-6	4000
1/2"-20	1/2"-14	2404-5-8	3000
9/16"-18	1/8"-27	2404-6-2	5000
9/16"-18	1/4"-18	2404-6-4	5000
9/16"-18	3/8"-18	2404-6-6	4000
9/16"-18	1/2"-14	2404-6-8	3000
9/16"-18	3/4"-14	2404-6-12	2500
3/4"-16	1/4"-18	2404-8-4	4500
3/4"-16	3/8"-18	2404-8-6	4000
3/4"-16	1/2"-14	2404-8-8	3000
3/4"-16	3/4"-14	2404-8-12	3500
3/4"-16	1" - 11 1/2	2404-8-16	3000
7/8"-14	3/8"-18	2404-10-6	3500
7/8"-14	1/2"-14	2404-10-8	3500
7/8"-14	3/4"-14	2404-10-12	3000
7/8"-14	1" - 11 1/2	2404-10-16	3000
1 1/16"-12	3/8"-18	2404-12-6	2500
1 1/16"-12	1/2"-14	2404-12-8	2500
1 1/16"-12	3/4"-14	2404-12-12	2500
1 1/16"-12	1" - 11 1/2	2404-12-16	2500
1 1/16"-12	1 1/4" - 11 1/2	2404-12-20	2500
1 3/16"-12	3/4"-14	2404-14-12	2500
1 5/16"-12	1/2"-14	2404-16-8	2000
1 5/16"-12	3/4"-14	2404-16-12	2000
1 5/16"-12	1" - 11 1/2	2404-16-16	2000
1 5/16"-12	1 1/4" - 11 1/2	2404-16-20	2000
1 5/16"-12	1 1/2" - 11 1/2	2404-16-24	2000
1 5/8"-12	3/4"-14	2404-20-12	1150
1 5/8"-12	1" - 11 1/2	2404-20-16	1150
1 5/8"-12	1 1/4" - 11 1/2	2404-20-20	1150
1 5/8"-12	1 1/2" - 11 1/2	2404-20-24	1150
1 7/8"-12	1 1/4" - 11 1/2	2404-24-20	1000
1 7/8"-12	1 1/2" - 11 1/2	2404-24-24	1000
1 7/8"-12	2" - 11 1/2	2404-24-32	1000
2 1/2"-12	1 1/2" - 11 1/2	2404-32-24	1000
2 1/2"-12	2" - 11 1/2	2404-32-32	1000