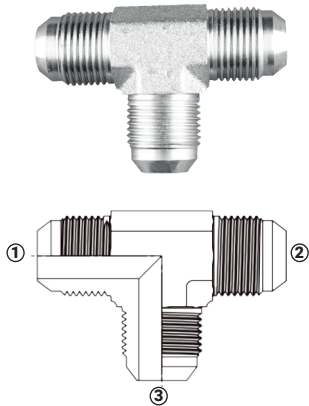


**Adaptadores Hidráulicos - Rosca JIC 37°**

**Serie 2603 - Tee Unión Macho JIC 37°**

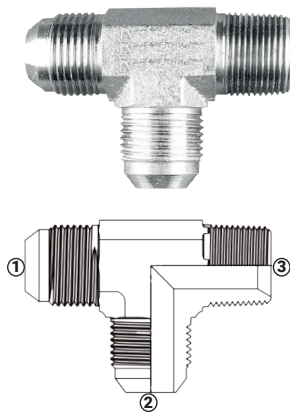


- (1) Macho JIC 37°
- (2) Macho JIC 37°
- (3) Macho JIC 37°

SAE 070401

Rosca Macho JIC	Rosca Macho JIC	Rosca Macho JIC	Acero al Carbón Zincado # de Parte	PSI
5/16"-24	5/16"-24	5/16"-24	2603-2	5000
3/8"-24	3/8"-24	3/8"-24	2603-3	5000
7/16"-20	7/16"-20	7/16"-20	2603-4	5000
1/2"-20	1/2"-20	1/2"-20	2603-5	5000
9/16"-18	9/16"-18	7/16"-20	2603-6-6-4	5000
9/16"-18	9/16"-18	3/4"-16	2603-6-6-8	4500
9/16"-18	9/16"-18	9/16"-18	2603-6	5000
3/4"-16	3/4"-16	9/16"-18	2603-8-8-6	4500
3/4"-16	3/4"-16	3/4"-16	2603-8	4500
7/8"-14	7/8"-14	3/4"-16	2603-10-10-8	3500
7/8"-14	7/8"-14	1 1/16"-12	2603-10-10-12	3500
7/8"-14	7/8"-14	7/8"-14	2603-10	3500
1 1/16"-12	1 1/16"-12	1 5/16"-12	2603-12-12-16	3000
1 1/16"-12	1 1/16"-12	1 1/16"-12	2603-12	3000
1 3/16"-12	1 3/16"-12	1 3/16"-12	2603-14	3000
1 5/16"-12	1 1/16"-12	1 1/16"-12	2603-16-12-12	3000
1 5/16"-12	1 5/16"-12	1 1/16"-12	2603-16-16-12	3000
1 5/16"-12	1 5/16"-12	1 5/16"-12	2603-16	3000
1 5/8"-12	1 5/8"-12	1 5/8"-12	2603-20	2500
1 7/8"-12	1 7/8"-12	1 7/8"-12	2603-24	2000
2 1/2"-12	2 1/2"-12	2 1/2"-12	2603-32	1500

**Serie 2605 - Tee de Flujo Macho JIC 37° x Macho JIC 37° x Macho NPTF**



- (1) Macho JIC 37°
- (2) Macho JIC 37°
- (3) Macho NPTF

SAE 070424

Rosca Macho JIC	Rosca Macho JIC	Rosca Macho NPTF	Acero al Carbón Zincado # de Parte	PSI
3/8"-24	3/8"-24	1/8"-27	2605-3-2	5000
7/16"-20	7/16"-20	1/8"-27	2605-4-2	5000
7/16"-20	7/16"-20	1/4"-18	2605-4-4	5000
1/2"-20	1/2"-20	1/8"-27	2605-5-2	5000
1/2"-20	1/2"-20	1/4"-18	2605-5-4	5000
9/16"-18	9/16"-18	1/4"-18	2605-6-4	5000
9/16"-18	9/16"-18	3/8"-18	2605-6-6	4000
3/4"-16	3/4"-16	3/8"-18	2605-8-6	4000
3/4"-16	3/4"-16	1/2"-14	2605-8-8	3000
3/4"-16	1 1/16"-12	1/2"-14	2605-8-12-8	3000
7/8"-14	7/8"-14	1/2"-14	2605-10-8	3000
1 1/16"-12	1 1/16"-12	1/2"-14	2605-12-8	3000
1 1/16"-12	1 1/16"-12	3/4"-14	2605-12-12	2500
1 3/16"-12	1 3/16"-12	3/4"-14	2605-14-12	2500
1 5/16"-12	1 5/16"-12	1"- 11 1/2	2605-16-16	2000
1 5/8"-12	1 5/8"-12	1 1/4" - 11 1/2	2605-20-20	1150
1 7/8"-12	1 7/8"-12	1 1/2" - 11 1/2	2605-24-24	1000
2 1/2"-12	2 1/2"-12	2"-11 1/2	2605-32-32	1000