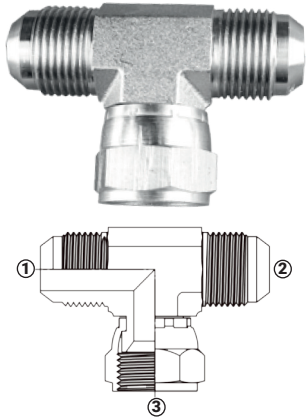


Adaptadores Hidráulicos - Rosca Hembra JIC 37° Giratoria

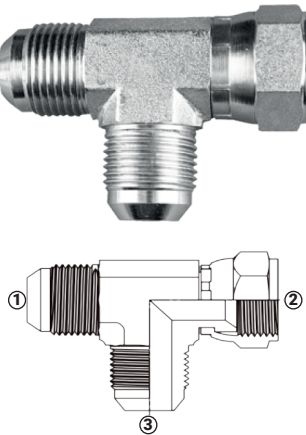
Serie 6600 - Tee de Ramificación Macho JIC 37° x Macho JIC 37° x Hembra JIC 37° Giratoria



(1) Macho JIC
(2) Macho JIC
(3) Hembra JIC giratoria
SAE 070433

Rosca Macho JIC (2)	Rosca Hembra JIC Giratoria	Acero al Carbón Zincado # de Parte	PSI
7/16"-20	7/16"-20	6600-4	4500
1/2"-20	1/2"-20	6600-5	4000
9/16"-18	9/16"-18	6600-6	4000
3/4"-16	3/4"-16	6600-8	4000
7/8"-14	7/8"-14	6600-10	3000
1 1/16"-12	1 1/16"-12	6600-12	3000
1 3/16"-12	1 3/16"-12	6600-14	2500
1 5/16"-12	1 5/16"-12	6600-16	2500
1 5/8"-12	1 5/8"-12	6600-20	2000
1 7/8"-12	1 7/8"-12	6600-24	1500
2 1/2"-12	2 1/2"-12	6600-32	1125

Serie 6602 - Tee de Flujo Macho JIC 37° x Hembra JIC 37° Giratoria x Macho JIC 37°



(1) Macho JIC
(2) Hembra JIC giratoria
(3) Macho JIC
SAE 070432

Rosca Macho JIC	Rosca Hembra JIC Giratoria	Rosca Macho JIC	Acero al Carbón Zincado # de Parte	PSI
3/8"-24	3/8"-24	3/8"-24	6602-3	5000
7/16"-20	7/16"-20	7/16"-20	6602-4	4500
1/2"-20	1/2"-20	1/2"-20	6602-5	4000
9/16"-18	9/16"-18	9/16"-18	6602-6	4000
3/4"-16	3/4"-16	3/4"-16	6602-8	4000
7/8"-14	1 1/16"-12	7/8"-14	6602-10-12-10	3000
7/8"-14	7/8"-14	7/8"-14	6602-10	3000
1 1/16"-12	1 1/16"-12	1 1/16"-12	6602-12	3000
1 3/16"-12	1 3/16"-12	1 3/16"-12	6602-14	2500
1 5/16"-12	1 5/16"-12	1 5/16"-12	6602-16	2500
1 5/8"-12	1 5/8"-12	1 5/8"-12	6602-20	2000
1 7/8"-12	1 7/8"-12	1 7/8"-12	6602-24	1500
2 1/2"-12	2 1/2"-12	2 1/2"-12	6602-32	1125