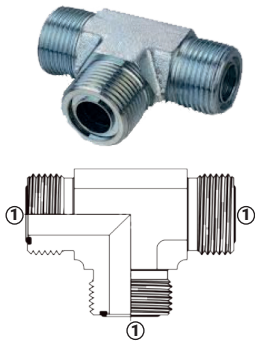


**Adaptadores Hidráulicos - Rosca Cara Plana (Face Seal)**

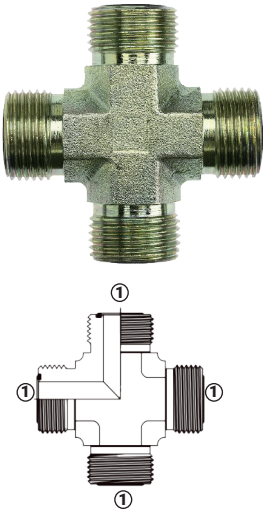
**Serie FS2603 - Tee Unión Macho FS**



(1) Macho Face Seal

Rosca Macho Cara Plana (3)	Acero al Carbón Zincado # de Parte	PSI
9/16"-18	FS2603-4	6000
11/16"-16	FS2603-6	6000
1 3/16"-16	FS2603-8	6000
1"-14	FS2603-10	6000
1 3/16"-12	FS2603-12	6000
1 7/16"-12	FS2603-16	6000
1 11/16"-12	FS2603-20	6000
2"-12	FS2603-24	4000

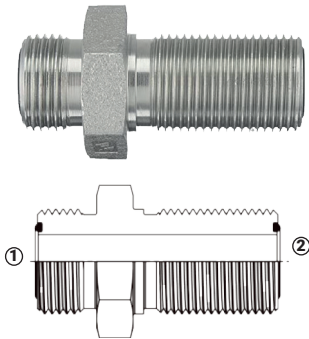
**Serie FS2650 - Cruz Macho FS**



(1) Macho Face Seal

Rosca Macho Cara Plana (4)	Acero al Carbón Zincado # de Parte	PSI
9/16"-18	FS2650-04	6000
11/16"-16	FS2650-06	6000
1 3/16"-16	FS2650-08	6000

**Serie FS2700 - Macho FS x Macho FS**



(1) Macho Face Seal  
(2) Macho Face Seal

Rosca Macho Cara Plana	Rosca Macho Cara Plana	Acero al Carbón Zincado # de Parte	PSI
9/16"-18	9/16"-18	FS2700LN-4	6000
11/16"-16	11/16"-16	FS2700LN-6	6000
1 3/16"-16	1 3/16"-16	FS2700LN-8	6000
1"-14	1"-14	FS2700LN-10	6000
1 3/16"-12	1 3/16"-12	FS2700LN-12	6000
1 7/16"-12	1 7/16"-12	FS2700LN-16	6000
1 11/16"-12	1 11/16"-12	FS2700LN-20	6000
2"-12	2"-12	FS2700LN-24	4000