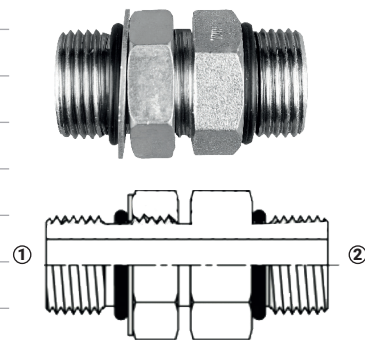


Adaptadores Hidráulicos - Rosca SAE O-Ring

Serie 6403 - Unión Macho SAE O-Ring

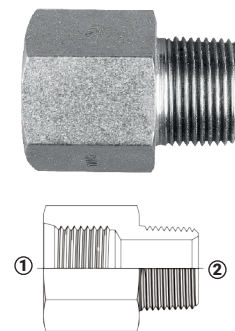
Rosca Macho ORB	Rosca Macho ORB	Acero al Carbón Zincado # de Parte	PSI
7/16"-20	7/16"-20	6403-4	5000
9/16"-18	9/16"-18	6403-6	5000
9/16"-18	7/16"-20	6403-6-4	5000
3/4"-16	3/4"-16	6403-8	4500
3/4"-16	9/16"-18	6403-8-6	4500
7/8"-14	7/8"-14	6403-10	3500
1 1/16"-12	1 1/16"-12	6403-12	3500
1 1/16"-12	7/8"-14	6403-12-10	3500
1 5/16"-12	1 5/16"-12	6403-16	3000
1 5/16"-12	1 1/16"-12	6403-16-12	3000
1 5/8"-12	1 5/8"-12	6403-20	2500
1 7/8"-12	1 7/8"-12	6403-24	2000
2 1/2"-12	2 1/2"-12	6403-32	1500



(1) Macho SAE O-ring
(2) Macho SAE O-ring

Serie 6404 - Hembra SAE O-Ring x Macho NPTF

Rosca Hembra ORB	Rosca Macho NPTF	Acero al Carbón Zincado # de Parte	PSI
7/16"-20	1/8"-27	6404-4-2	5000
7/16"-20	1/4"-18	6404-4-4	5000
9/16"-18	1/4"-18	6404-6-4	5000
9/16"-18	3/8"-18	6404-6-6	4000
9/16"-18	1/2"-14	6404-6-8	3000
3/4"-16	3/8"-18	6404-8-6	4000
3/4"-16	1/2"-14	6404-8-8	3000
3/4"-16	3/4"-14	6404-8-12	3000
7/8"-14	1/2"-14	6404-10-8	3500
7/8"-14	3/4"-14	6404-10-12	2500
1 1/16"-12	3/4"-14	6404-12-12	2500
1 5/16"-12	1"- 11 1/2	6404-16-16	2000
1 5/8"-12	1 1/4" - 11 1/2	6404-20-20	1150



(1) Hembra SAE O-ring
(2) Macho NPTF