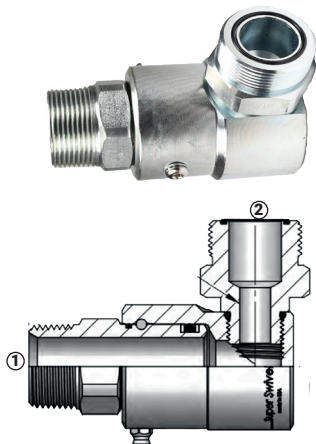


Super Swivels®

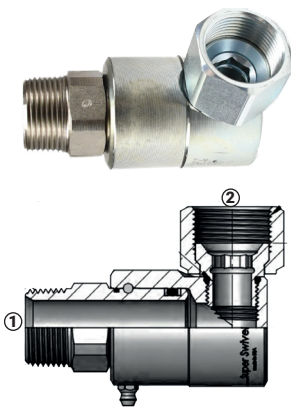
Serie SPS9FS2501 - Codo 90° Macho NPTF x Macho Cara Plana



(1) Macho NPTF
(2) Macho FS

| Rosca Macho NPTF | Rosca Macho FS | Acero al Carbón Zincado # de Parte | PSI |
|------------------|----------------|------------------------------------|------|
| 3/8"-18 | 11/16"-16 | SPS9FS2501-6 | 5000 |
| 1/2"-14 | 13/16"-16 | SPS9FS2501-8 | 5000 |
| 3/4"-14 | 1-3/16"-12 | SPS9FS2501-12 | 4500 |
| 1" 11-1/2 | 1-7/16"-12 | SPS9FS2501-16 | 4000 |
| 1-1/4" 11-1/2 | 1-11/16"-12 | SPS9FS2501-20 | 4000 |

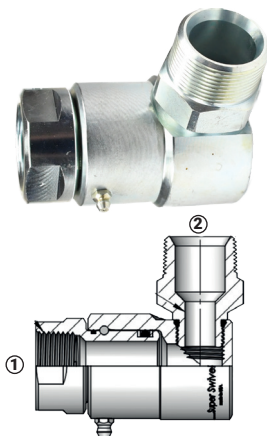
Serie SPS96501 - Codo 90° Macho NPTF x Hembra JIC 37°



(1) Macho NPTF
(2) Hembra JIC 37°

| Rosca Macho NPTF | Rosca Hembra JIC 37° | Acero al Carbón Zincado # de Parte | PSI |
|------------------|----------------------|------------------------------------|------|
| 1/4"-18 | 7/16"-20 | SPS96501-4-6 | 3500 |
| 1/2"-14 | 3/4"-16 | SPS96501-8 | 3500 |
| 1" 11-1/2 | 1-5/16"-12 | SPS96501-16 | 4000 |
| 1-1/4" 11-1/2 | 1-5/8"-12 | SPS96501-20 | 4000 |

Serie SPS95502 - Codo 90° Hembra NPTF x Macho NPTF



(1) Hembra NPTF
(2) Macho NPTF

| Rosca Hembra NPTF | Rosca Macho NPTF | Acero al Carbón Zincado # de Parte | PSI |
|-------------------|------------------|------------------------------------|------|
| 1/4"-18 | 1/4"-18 | SPS95502-4 | 3500 |
| 3/8"-18 | 3/8"-18 | SPS95502-6 | 3500 |
| 1/2"-14 | 1/2"-14 | SPS95502-8 | 3500 |
| 3/4"-14 | 3/4"-14 | SPS95502-12 | 3500 |
| 1" 11-1/2 | 1" 11-1/2 | SPS95502-16 | 3500 |
| 1-1/4" 11-1/2 | 1-1/4" 11-1/2 | SPS95502-20 | 3500 |