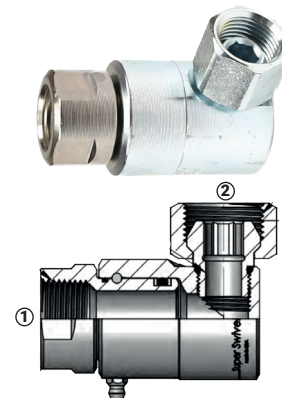


Super Swivels®

Serie SPS91502 - Codo 90° Hembra NPTF x Hembra NPSM

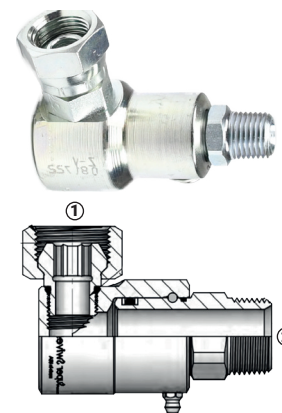
Rosca Hembra NPTF	Rosca Hembra NPSM	Acero al Carbón Zincado # de Parte	PSI
1/4"-18	1/4"-18	SPS91502-4	3500
3/8"-18	3/8"-18	SPS91502-6	3500
1/2"-14	1/2"-14	SPS91502-8	3500
3/4"-14	3/4"-14	SPS91502-12	3500
1" 11-1/2	1" 11-1/2	SPS91502-16	3500
1 1/4" 11-1/2	1 1/4" 11-1/2	SPS91502-20	3500



(1) Hembra NPTF
(2) Hembra NPSM

Serie SPS91501 - Codo 90° Hembra NPTF x Macho NPSM

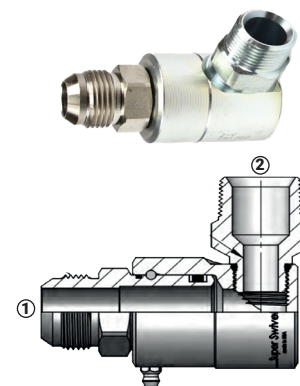
Rosca Hembra NPTF	Rosca Macho NPSM	Acero al Carbón Zincado # de Parte	PSI
1/4"-18	1/4"-18	SPS91501-4	3500
1/4"-18	3/8"-18	SPS91501-4-6	3500
1/4"-18	3/8"-18	SPS91501-6	3500
1/2"-14	1/2"-14	SPS91501-8	3500
3/4"-14	3/4"-14	SPS91501-12	3500
1" 11-1/2	1" 11-1/2	SPS91501-16	3500
1 1/4" 11-1/2	1 1/4" 11-1/2	SPS91501-20	3500



(1) Hembra NPSM
(2) Macho NPTF

Serie SPS92501 - Codo 90° Macho JIC 37° x Macho NPTF

Rosca Macho JIC 37°	Rosca Macho NPTF	Acero al Carbón Zincado # de Parte	PSI
7/16"-20	1/4"-18	SPS92501-4	3500
9/16"-18	1/4"-18	SPS92501-6-4	3500
3/4"-16	3/8"-18	SPS92501-8-6	3500
3/4"-16	1/2"-14	SPS92501-8	3500
7/8"-14	1/2"-14	SPS92501-10-8	3500
1-1/16"-12	3/4"-14	SPS92501-12	3500
1-5/16"-12	1" 11-1/2	SPS92501-16	3500
1-5/8"-12	1-1/4" 11-1/2	SPS92501-20	3500



(1) Macho JIC 37°
(2) Macho NPTF