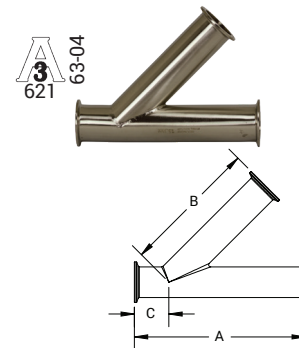


Uniones, Cruces, Curvas y Bidas

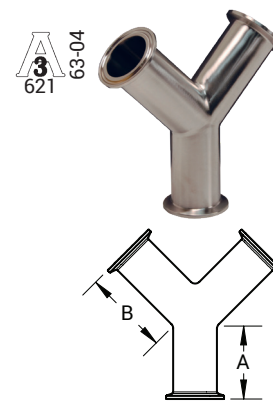
Unión Lateral Clamp - B28AMP

D.E. Tubing	A (in)	B (in)	C (in)	Acero Inoxidable 316L # de Parte
1"	7.00	5.50	1.50	B28AMP-R100
1-1/2"	8.38	6.69	1.69	B28AMP-R150
2"	9.75	7.63	2.13	B28AMP-R200
2-1/2"	11.00	9.00	2.00	B28AMP-R250
3"	11.75	9.38	2.38	B28AMP-R300
4"	14.06	11.31	2.64	B28AMP-R400
6"	19.75	15.38	4.38	B28AMP-R600



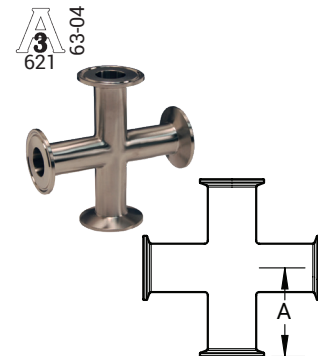
Unión Y Clamp - B28BMP

D.E. Tubing	A (in)	B (in)	Acero Inoxidable 316L # de Parte
1"	2.50	2.94	B28BMP-R100
1-1/2"	2.50	2.94	B28BMP-R150
2"	3.13	3.75	B28BMP-R200
2-1/2"	3.87	4.63	B28BMP-R250
3"	4.50	5.38	B28BMP-R300
4"	6.00	6.00	B28BMP-R400
6"	3.12	7.62	B28BMP-R600
7"	3.70	8.20	B28BMP-R800



Cruceta Clamp - B9MP

D.E. Tubing	A (in)	Acero Inoxidable 304 # de Parte	Acero Inoxidable 316L # de Parte
1"	2.38	B9MP-G100	B9MP-R100
1-1/2"	2.75	B9MP-G150	B9MP-R150
2"	3.50	B9MP-G200	B9MP-R200
2-1/2"	3.50	B9MP-G250	B9MP-R250
3"	3.75	B9MP-G300	B9MP-R300
4"	4.50	B9MP-G400	B9MP-R400



N

Codo 180° de Retorno Tipo Clamp - B2WUMP

Característica:

- La curva es 1.5 x diámetro de tubing.

D.E. Tubing	A (in)	R (in)	Acero Inoxidable 316L # de Parte
1"	3.00	1.50	B2WUMP-R100
1-1/2"	4.50	2.25	B2WUMP-R150
2"	6.00	3.00	B2WUMP-R200
2-1/2"	7.50	3.75	B2WUMP-R250
3"	9.00	4.50	B2WUMP-R300
4"	12.00	6.00	B2WUMP-R400

