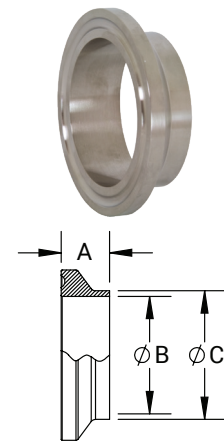


Férulas I-Line/Q-Line

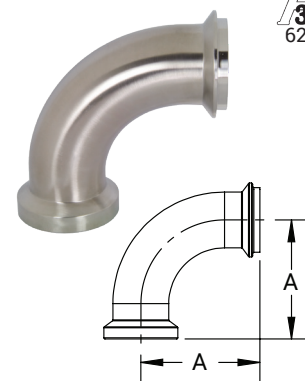
Férulas Soldables Q-Line - 14WQ

D.E. Tubing	A (in)	B (in)	C (in)	Acero Inoxidable 304 # de Parte
1"	.53	.87	1.00	14WQ-G100
1-1/2"	.56	1.37	1.50	14WQ-G150
2"	.81	1.87	2.00	14WQ-G200
2-1/2"	.94	2.37	2.50	14WQ-G250
3"	.94	2.87	3.00	14WQ-G300
4"	1.00	3.83	4.00	14WQ-G400



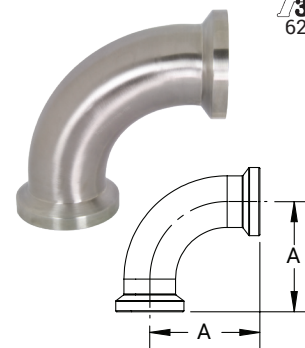
Codo 90° Hembra I-Line x Macho I-Line - B2FI

D.E. Tubing	A (in)	Acero Inoxidable 304 # de Parte
1"	2.29	B2FI-G100
1-1/2"	3.20	B2FI-G150
2"	4.04	B2FI-G200
2-1/2"	4.91	B2FI-G250
3"	5.72	B2FI-G300
4"	7.35	B2FI-G400



Codo 90° Hembra I-Line - B2CI

D.E. Tubing	A (in)	Acero Inoxidable 304 # de Parte
1"	2.29	B2CI-G100
1-1/2"	3.20	B2CI-G150
2"	4.04	B2CI-G200
2-1/2"	4.91	B2CI-G250
3"	5.72	B2CI-G300
4"	7.35	B2CI-G400



N

Codo 90° Macho I-Line - B2EI

D.E. Tubing	A (in)	Acero Inoxidable 304 # de Parte
1"	2.29	B2EI-G100
1-1/2"	3.20	B2EI-G150
2"	4.04	B2EI-G200
2-1/2"	4.91	B2EI-G250
3"	5.72	B2EI-G300
4"	7.35	B2EI-G400

