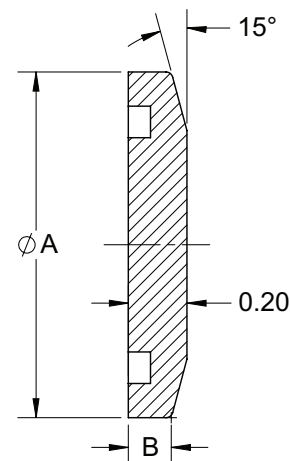


### Conexiones Soldables

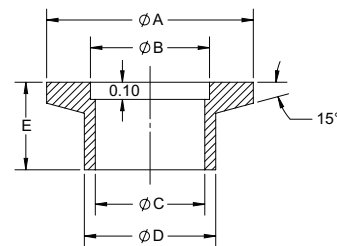
#### Bridas Ciegas KF

Medida de Brida	A (in)	B (in)	Acero Inoxidable 304 # de Parte
KF10	1.18	0.12	DVF-A10GB
KF16	1.18	0.11	DVF-A16GB
KF25	1.58	0.13	DVF-A25GB
KF40	2.17	0.12	DVF-A40GB
KF50	2.95	0.12	DVF-A50GB



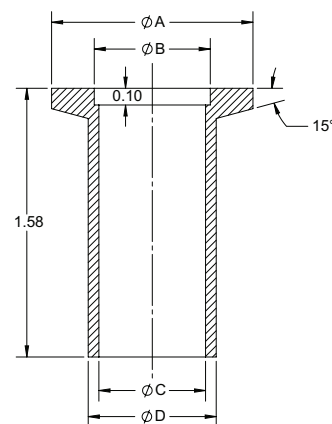
#### Bridas Cortas Soldables KF

Medida de Brida	A (in)	B (in)	C (in)	D (in)	E (in)	Acero Inoxidable 304 # de Parte
KF10	1.18	0.48	0.37	0.50	0.50	DVF-A10GC
KF16	1.18	0.67	0.62	0.75	0.50	DVF-A16GC
KF25	1.58	1.03	0.87	1.00	0.50	DVF-A25GC
KF40	2.17	1.62	1.37	1.50	0.75	DVF-A40GC
KF50	2.95	2.05	1.87	2.00	0.75	DVF-A50GC



#### Bridas Largas Soldables KF

Medida de Brida	A (in)	B (in)	C (in)	D (in)	Acero Inoxidable 304 # de Parte
KF10	1.18	0.48	0.37	0.50	DVF-A10GD
KF16	1.18	0.67	0.62	0.75	DVF-A16GD
KF25	1.58	1.03	0.87	1.00	DVF-A25GD
KF40	2.17	1.62	1.37	1.50	DVF-A40GD
KF50	2.95	2.05	1.87	2.00	DVF-A50GD



#### Ensamble de Anillo Centrador KF

Medida de Brida	A (in)	B (in)	Acero Inoxidable 304 con O-ring FKM # de Parte
KF10	0.48	0.44	DVF-A10GE
KF16	0.67	0.63	DVF-A16GE
KF25	1.02	0.98	DVF-A25GE
KF40	1.61	1.57	DVF-A40GE
KF50	2.05	1.97	DVF-A50GE

