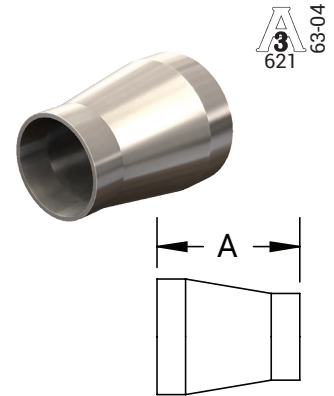


Conexiones Biofarmacéuticas “High Purity”

Reductor Concéntrico Extremo Soldable x Extremo Soldable – 2211C

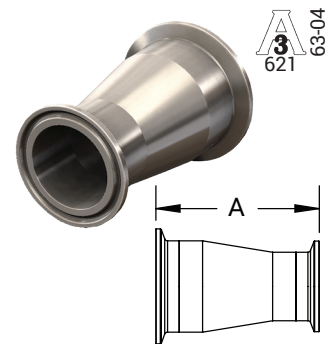
Medidas	A (in)	Acabado PL - SF1	Acabado PM - SF4
3/4" x 1/2"	2.13	2211CBB075050F1	2211CBB075050F4
1" x 1/2"	2.50	2211CBB100050F1	2211CBB100050F4
1" x 3/4"	2.13	2211CBB100075F1	2211CBB100075F4
1-1/2" x 3/4"	3.00	2211CBB150075F1	2211CBB150075F4
1-1/2" x 1"	2.50	2211CBB150100F1	2211CBB150100F4
2" x 1"	3.38	2211CBB200100F1	2211CBB200100F4
2" x 1-1/2"	2.50	2211CBB200150F1	2211CBB200150F4
2-1/2" x 1-1/2"	3.38	2211CBB250150F1	2211CBB250150F4
2-1/2" x 2"	2.50	2211CBB250200F1	2211CBB250200F4
3" x 1-1/2"	4.25	2211CBB300150F1	2211CBB300150F4
3" x 2"	3.38	2211CBB300200F1	2211CBB300200F4
3" x 2-1/2"	2.63	2211CBB300250F1	2211CBB300250F4
4" x 2"	5.13	2211CBB400200F1	2211CBB400200F4
4" x 2-1/2"	4.25	2211CBB400250F1	2211CBB400250F4
4" x 3"	3.88	2211CBB400300F1	2211CBB400300F4
6" x 3"	7.25	2211CBB600300F1	2211CBB600300F4
6" x 4"	5.63	2211CBB600400F1	2211CBB600400F4



BPE Tabla DT-4.1.3-1
ASME BPE 2019

Reductor Concéntrico Clamp x Clamp – 2221C

Medidas	A (in)	Acabado PL - SF1	Acabado PM - SF4
3/4" x 1/2"	3.13	2221CBB075050F1	2221CBB075050F4
1" x 1/2"	3.50	2221CBB100050F1	2221CBB100050F4
1" x 3/4"	3.13	2221CBB100075F1	2221CBB100075F4
1-1/2" x 3/4"	4.00	2221CBB150075F1	2221CBB150075F4
1-1/2" x 1"	3.50	2221CBB150100F1	2221CBB150100F4
2" x 1"	4.38	2221CBB200100F1	2221CBB200100F4
2" x 1-1/2"	3.50	2221CBB200150F1	2221CBB200150F4
2-1/2" x 1-1/2"	4.38	2221CBB250150F1	2221CBB250150F4
2-1/2" x 2"	3.50	2221CBB250200F1	2221CBB250200F4
3" x 1-1/2"	5.25	2221CBB300150F1	2221CBB300150F4
3" x 2"	4.38	2221CBB300200F1	2221CBB300200F4
3" x 2-1/2"	3.63	2221CBB300250F1	2221CBB300250F4
4" x 2"	6.25	2221CBB400200F1	2221CBB400200F4
4" x 2-1/2"	5.38	2221CBB400250F1	2221CBB400250F4
4" x 3"	5.00	2221CBB400300F1	2221CBB400300F4
6" x 3"	8.50	2221CBB600300F1	2221CBB600300F4
6" x 4"	7.00	2221CBB600400F1	2221CBB600400F4



BPE Tabla DT-4.1.3-3
ASME BPE 2019

NOTA: Especificaciones BPE 2019.

Acabado PL – SF1.

D.E. = 32Ra Pulido Mecánico.

D.I. = 20Ra Pulido Mecánico.

Acabado PM – SF4.

D.E. = 32Ra Pulido Mecánico.

D.I. = 15Ra Pulido Mecánico y Electropulido.