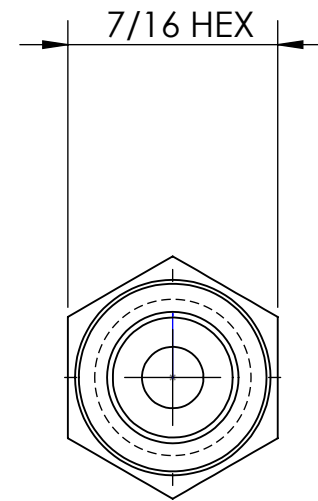
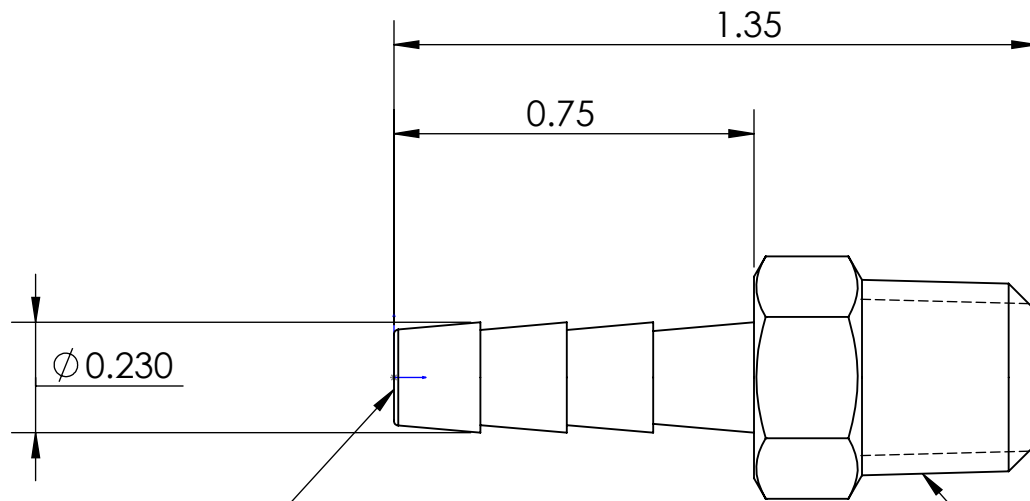
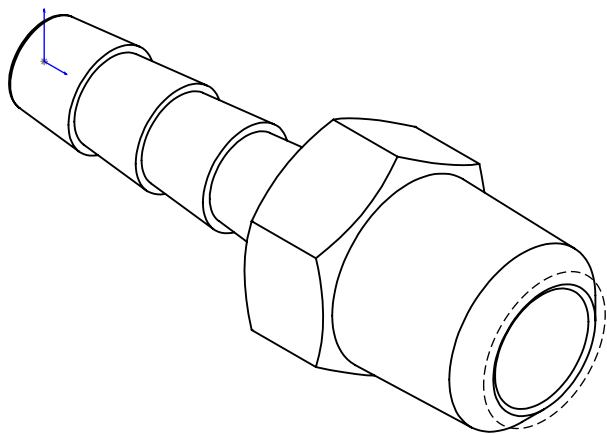



LINE DRAWING NOT FOR PRODUCTION PURPOSES



THRU HOLE DIA. .125

1/8 - 27 NPTF THREAD



|   |  |  |                                       |                          |
|---|--|--|---------------------------------------|--------------------------|
| THIS DRAWING CONTAINS INFORMATION DEEMED PROPRIETARY TO DIXON BRASS AND IS SO TO BE USED ONLY FOR THE PURPOSE FOR WHICH IT IS SUBMITTED, AND FURTHER, SHALL NOT BE COPIED IN WHOLE OR IN PART WITHOUT EXPRESS WRITTEN PERMISSION FIRST OBTAINED FROM DIXON BRASS. |  |  |                                       |                          |
| UNLESS OTHERWISE SPECIFIED:   |  | <br>The Right Connection™ | DRAWN<br>P. MONAGHAN<br>APPROVED      | DATE<br>10/18/13<br>DATE |
| DIMENSIONS ARE IN INCHES<br>TOLERANCES:<br>ANGLES: ±0°30'<br>.X (±.015)<br>.XX (±.010)<br>.XXX (±.005)<br>DIMENSIONS PER ANSI Y14.5   |  |  | Dixon Brass<br>Westmont, Illinois USA | ECO NO.                  |
| TITLE: 3/16 MALE HOSE BARB<br>X 1/8 - 27 NPTF   |  | DRAWING NOT REPRODUCED TO SCALE  |                                       |                          |
| SIZE<br>A   |  | DWG. NO.<br>1020302C   | REV<br>1                              |                          |