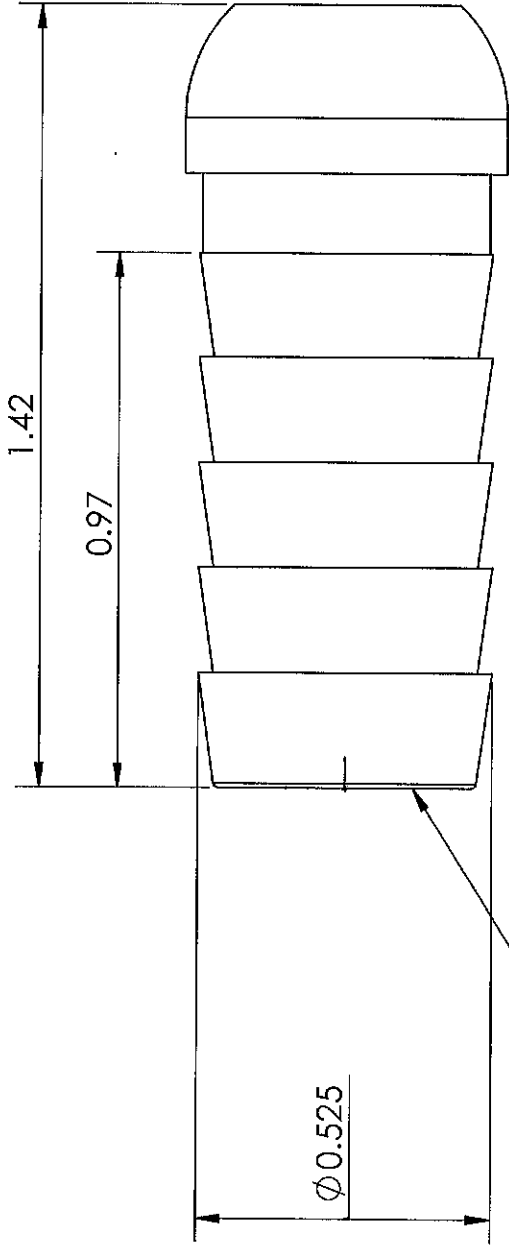
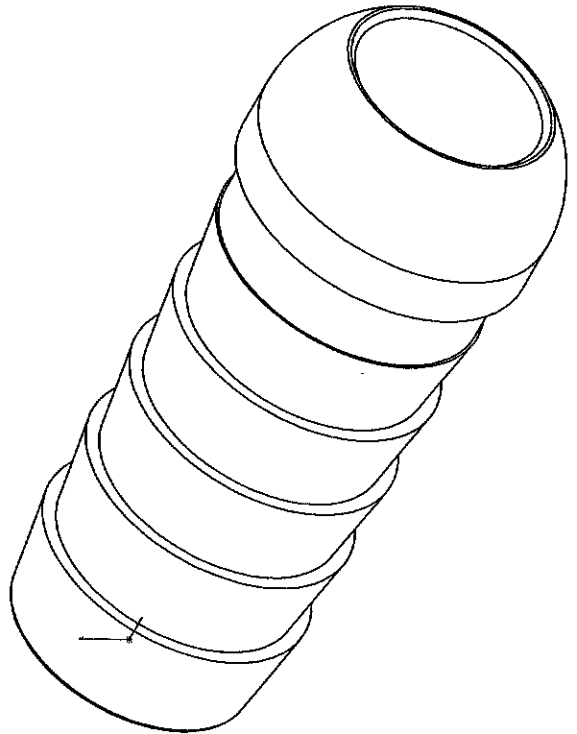


LINE DRAWING NOT FOR PRODUCTION PURPOSES

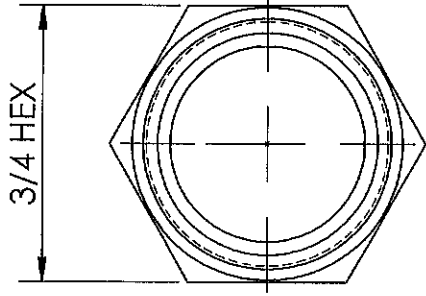
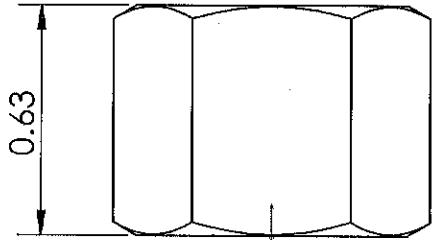


THRU HOLE DIA. .375

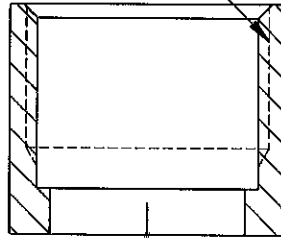


THIS DRAWING CONTAINS INFORMATION DEEMED PROPRIETARY TO DIXON BRASS AND IS TO BE USED ONLY FOR THE PURPOSE FOR WHICH IT IS SUBMITTED, AND FURTHER, SHALL NOT BE COPIED IN WHOLE OR IN PART WITHOUT EXPRESS WRITTEN PERMISSION FIRST OBTAINED FROM DIXON BRASS, UNLESS OTHERWISE SPECIFIED:		DRAWN P. MONAGHAN		DATE 2/28/14
DIMENSIONS ARE IN INCHES		APPROVED		DATE
TOLERANCES: ANGLES: $\pm 30'$ X (.010) XX (.010) XXX (.005)		ECO NO.		
DIMENSIONS PER ANSI Y14.5		Dixon Brass Westmont, Illinois USA		
TITLE: 1/2 SWIVEL STEM BALL TYPE		DRAWING NOT REPRODUCED TO SCALE		REV E
		SIZE A	DWG. NO. 1240806S	

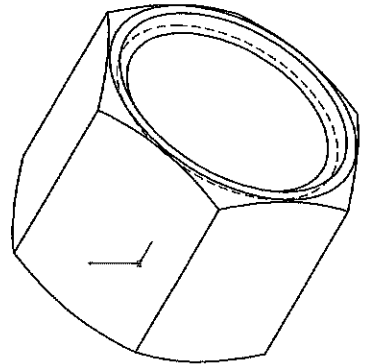
LINE DRAWING NOT FOR PRODUCTION PURPOSES



(THRU HOLE DIA.) $\phi 0.53$



3/8 - 18 NPSM
THREAD



THIS DRAWING CONTAINS INFORMATION DEEMED PROPRIETARY TO DIXON BRASS AND IS SO TO BE USED ONLY FOR THE PURPOSE FOR WHICH IT IS SUBMITTED, AND FURTHER, SHALL NOT BE COPIED IN WHOLE OR IN PART WITHOUT EXPRESS WRITTEN PERMISSION FIRST OBTAINED FROM DIXON BRASS. UNLESS OTHERWISE SPECIFIED:		DRAWN P. MONAGHAN		DATE 2/27/14
DIMENSIONS ARE IN INCHES		APPROVED		DATE
TOLERANCES: ANGLES: 30° X (± 0.10) XX (± 0.10) XXX (± 0.05)		ECO NO.		
DIMENSIONS PER ANSI Y14.5		DRAWING NOT REPRODUCED TO SCALE		REV C
DIXON The Right Connection SM Dixon Brass Westmont, Illinois USA		SIZE A	DWG. NO. 1240806N	
TITLE: FEMALE SWIVEL NUT 3/8 - 18 NPSM				