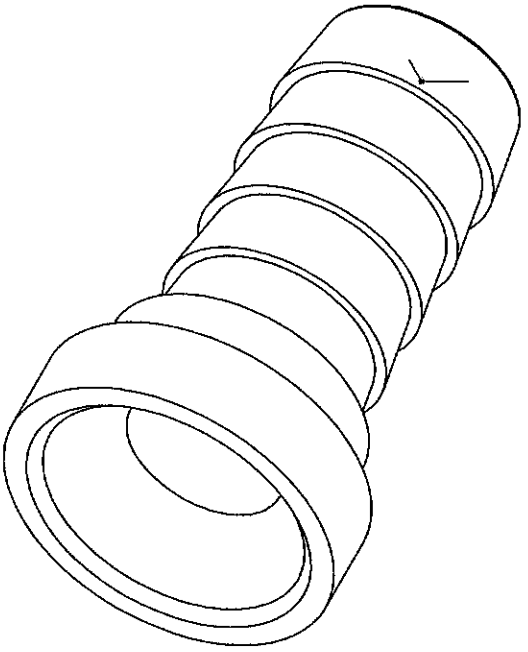
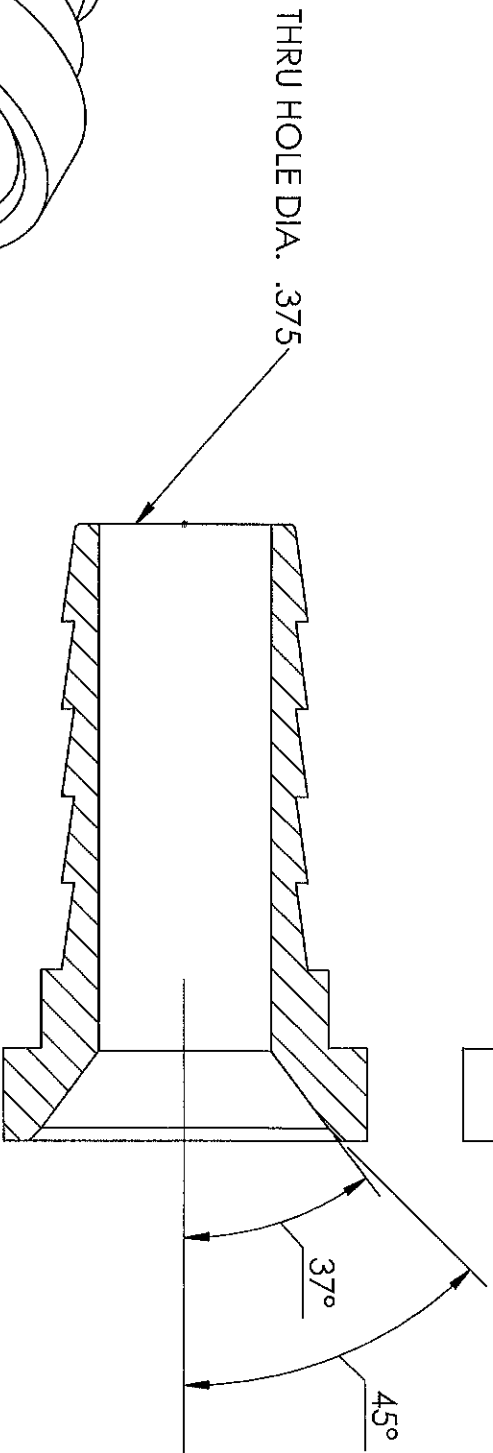
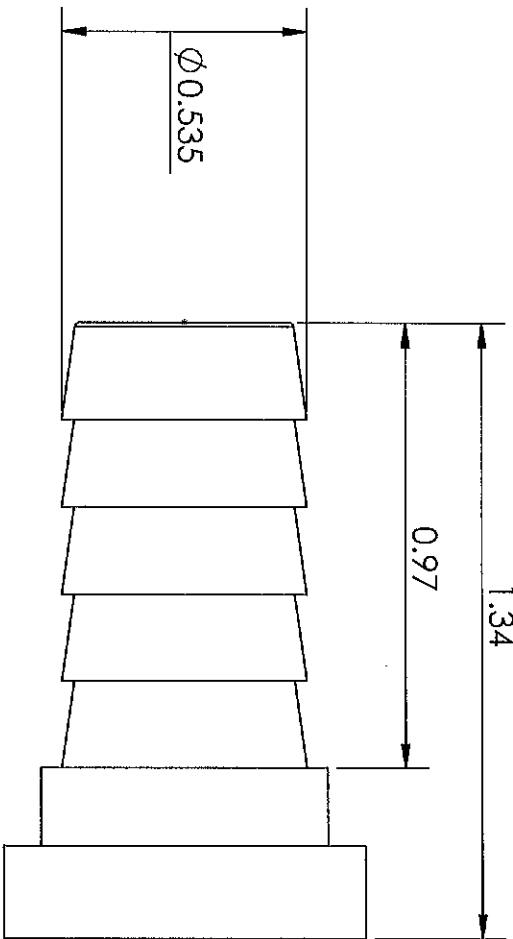


LINE DRAWING NOT FOR PRODUCTION PURPOSES



THIS DRAWING CONTAINS INFORMATION DEEMED PROPRIETARY TO DIXON BRASS AND IS SO TO BE USED ONLY FOR THE PURPOSE FOR WHICH IT IS SUBMITTED AND FURTHER, SHALL NOT BE COPIED IN WHOLE OR IN PART WITHOUT EXPRESS WRITTEN PERMISSION FIRST OBTAINED FROM DIXON BRASS.

UNLESS OTHERWISE SPECIFIED:

DIMENSIONS ARE IN INCHES

TOLERANCES:

ANGLES: $\pm 0^{\circ}30'$

X (± 0.15)

XX (± 0.10)

XXX (± 0.05)

DIMENSIONS PER ANSI Y14.5



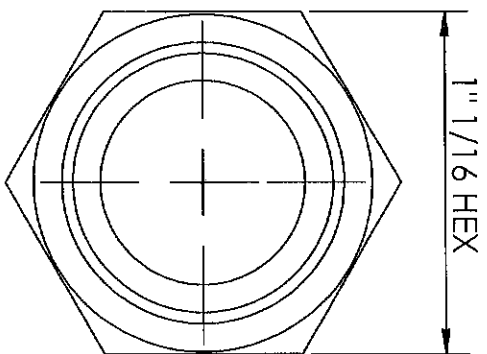
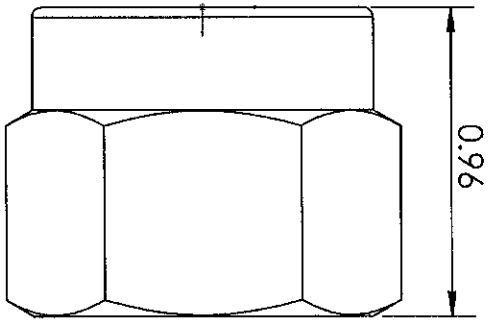
Dixon Brass
Westmont, Illinois USA

DATE: 3/17/14
DRAWN: P. MONAGHAN
APPROVED: [Signature]
ECO NO.:

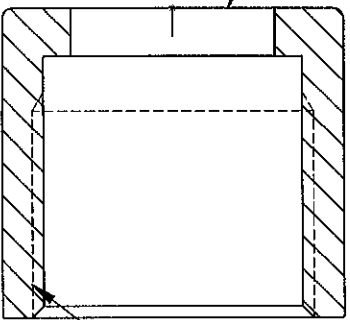
TITLE: FEMALE SWIVEL STEM
DUAL ANGLE SEAT

SIZE: A
DRAWING NOT REPRODUCED TO SCALE
DWG. NO.: 1430814S
REV: C

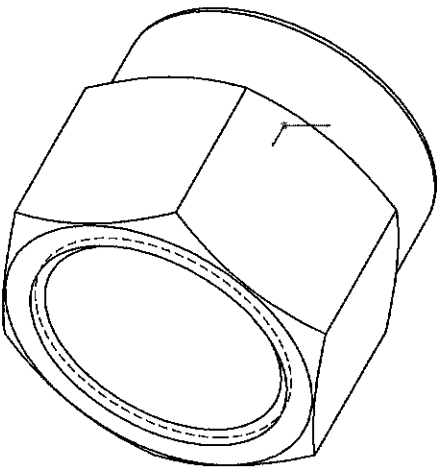
LINE DRAWING NOT FOR PRODUCTION PURPOSES



THRUHOLE DIA.
0.6365
0.6315



7/8 - 14 UNF
THREAD



THIS DRAWING CONTAINS INFORMATION DEEMED PROPRIETARY TO DIXON BRASS AND IS SO TO BE USED ONLY FOR THE PURPOSE FOR WHICH IT IS SUBMITTED, AND FURTHER, SHALL NOT BE COPIED IN WHOLE OR IN PART WITHOUT EXPRESS WRITTEN PERMISSION FIRST OBTAINED FROM DIXON BRASS, UNLESS OTHERWISE SPECIFIED.
DIMENSIONS ARE IN INCHES
TOLERANCES:
X (+.015)
.XX (+.010)
.XXX (+.005)
DIMENSIONS PER ANSI Y14.5



Dixon Brass
Westmont, Illinois USA

TITLE:

SAE FEMALE SWIVEL NUT

DRAWN
P. MCNAGHAN
APPROVED
DATE
5/20/14

ECO NO.

DRAWING NOT REPRODUCED TO SCALE

SIZE DWG. NO.
A 1440814N

REV
B