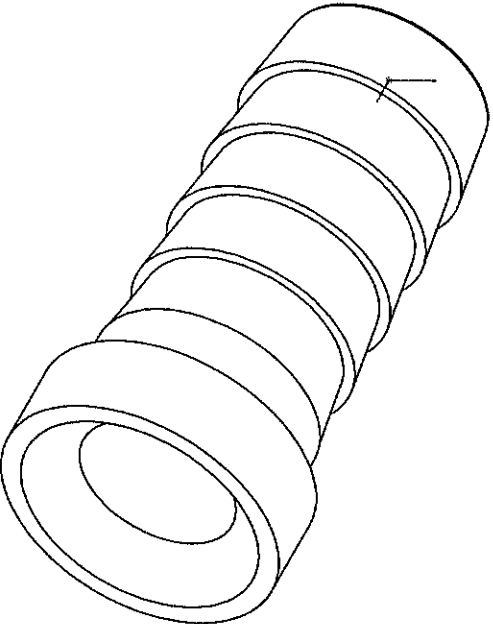
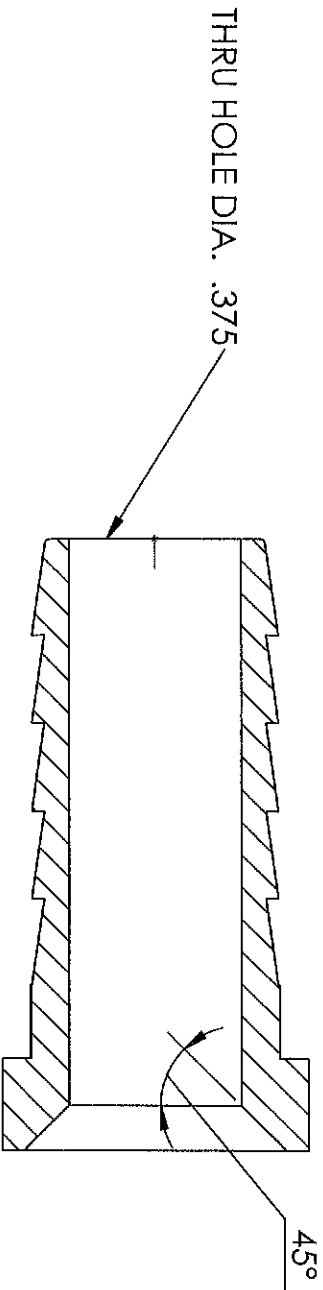
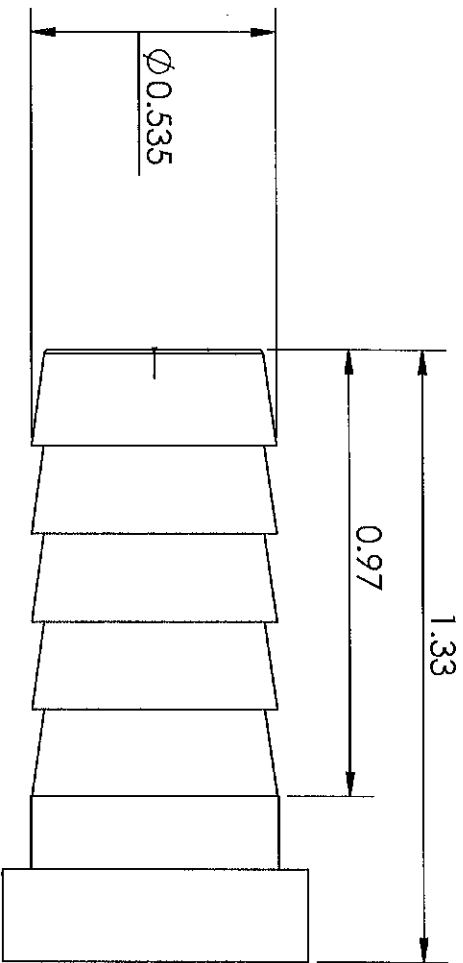


LINE DRAWING NOT FOR PRODUCTION PURPOSES



THIS DRAWING CONTAINS INFORMATION DEEMED PROPRIETARY TO DIXON BRASS AND IS SO TO BE USED ONLY FOR THE PURPOSE FOR WHICH IT IS SUBMITTED, AND FURTHER, SHALL NOT BE COPIED IN WHOLE OR IN PART WITHOUT EXPRESS WRITTEN PERMISSION FIRST OBTAINED FROM DIXON BRASS.

UNLESS OTHERWISE SPECIFIED:
DIMENSIONS ARE IN INCHES

TOLERANCES:
X (.015)
XX (.010)
XXX (.005)

ANGLES: $\pm 30^\circ$
DIMENSIONS PER ANSI Y14.5



Dixon Brass
Westmont, Illinois USA

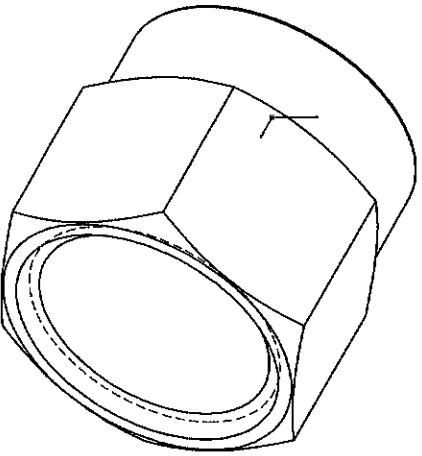
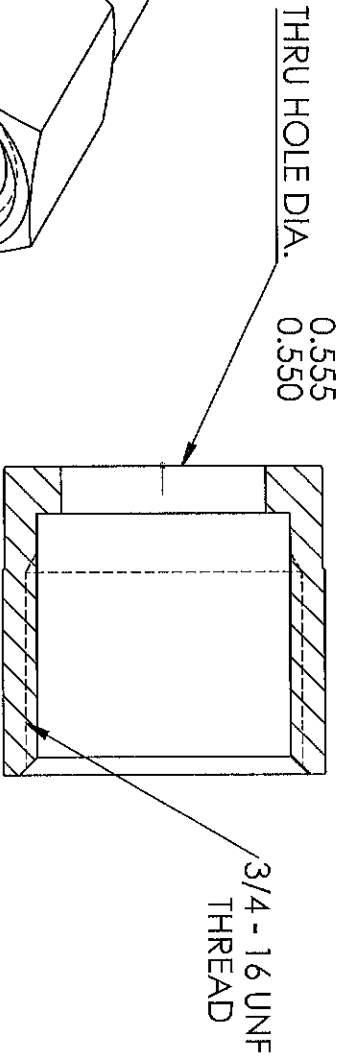
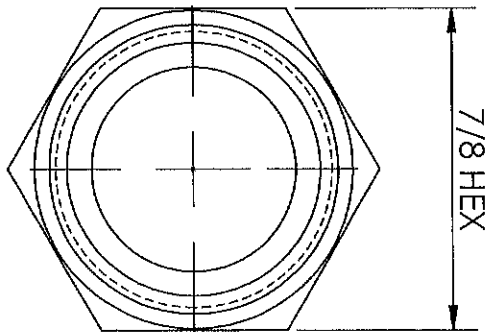
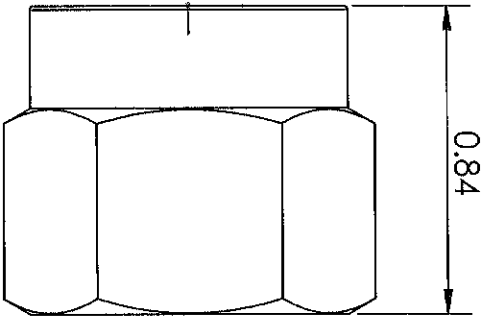
DRAWN: P. MONAGHAN
DATE: 5/19/14
APPROVED: [Signature]
DATE: [Blank]
ECO NO. [Blank]

TITLE: FEMALE SWIVEL STEM
45 DEG. SEAT

SIZE: A
DWG. NO.: 1440812S
REV: D

DRAWING NOT REPRODUCED TO SCALE

LINE DRAWING NOT FOR PRODUCTION PURPOSES



THIS DRAWING CONTAINS INFORMATION DEEMED PROPRIETARY TO DIXON BRASS AND IS SO TO BE USED ONLY FOR THE PURPOSE FOR WHICH IT IS SUBMITTED, AND FURTHER, SHALL NOT BE COPIED IN WHOLE OR IN PART WITHOUT EXPRESS WRITTEN PERMISSION FIRST OBTAINED FROM DIXON BRASS.

UNLESS OTHERWISE SPECIFIED:
DIMENSIONS ARE IN INCHES

TOLERANCES:
X (+.015)
XX (+.010)
XXX (+.005)

ANGLES: 40°-30°
DIMENSIONS PER ANSI Y14.5



Dixon Brass
Westmont, Illinois USA

TITLE:

SAE FEMALE SWIVEL NUT

DRAWN	DATE
P. MONAGHAN	5/20/14
APPROVED	DATE
ECO. NO.	

DRAWING NOT REPRODUCED TO SCALE

SIZE	DWG. NO.	REV
A	1440612N	C