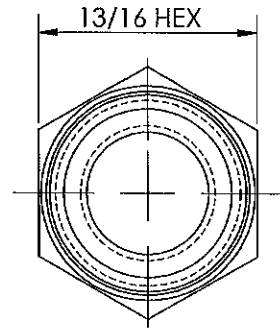
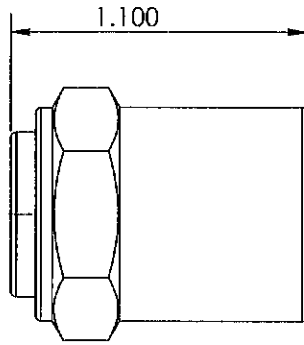
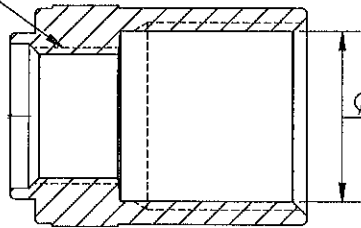


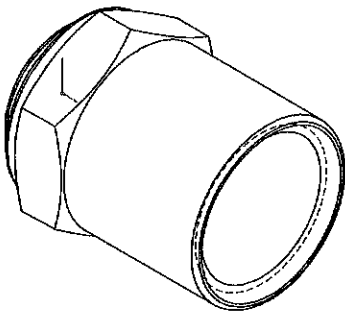
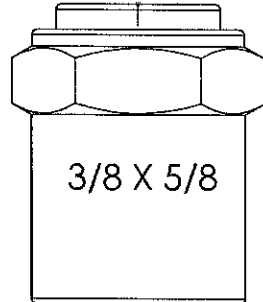
LINE DRAWING NOT FOR PRODUCTION PURPOSES




1/2 -20 UNF-2B
HOSE I.D. 3/8

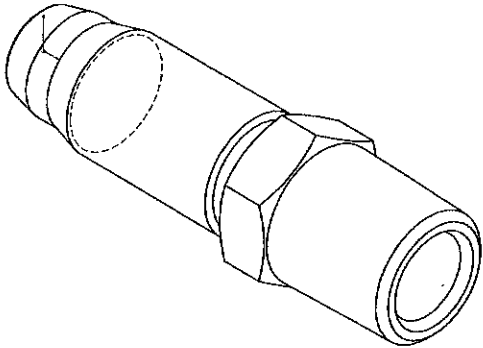
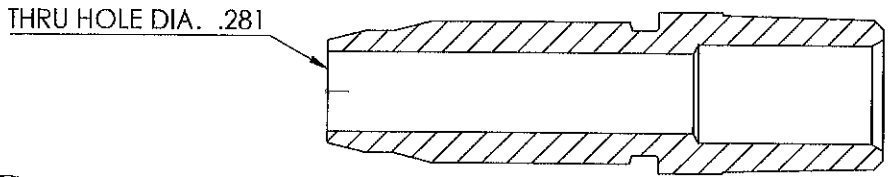
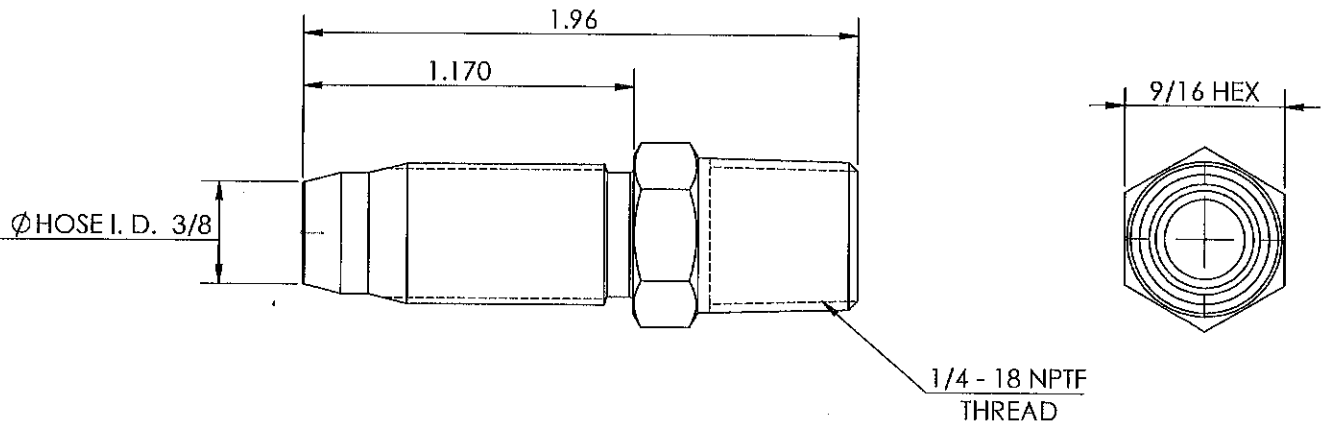



Ø HOSE O. D. 5/8



<small>THIS DRAWING CONTAINS INFORMATION DEEMED PROPRIETARY TO DIXON BRASS AND IS SO TO BE USED ONLY FOR THE PURPOSE FOR WHICH IT IS SUBMITTED, AND FURTHER, SHALL NOT BE COPIED IN WHOLE OR IN PART WITHOUT EXPRESS WRITTEN PERMISSION FIRST OBTAINED FROM DIXON BRASS.</small>			
<small>UNLESS OTHERWISE SPECIFIED:</small>		<small>DRAWN</small>	
<small>DIMENSIONS ARE IN INCHES</small>		<small>DATE</small>	
<small>TOLERANCES:</small> <small>ANGLES: ±0°30'</small> <small>.X (±.015)</small> <small>.XX (±.010)</small> <small>.XXX (±.005)</small>		<small>APPROVED</small>	
<small>DIMENSIONS PER ANSI Y14.5</small>		<small>DATE</small>	
		Dixon Brass Westmont, Illinois USA	
<small>TITLE:</small>		<small>ECO NO.</small>	
REUSABLE FERRULE		<small>DRAWING NOT REPRODUCED TO SCALE</small>	
<small>SIZE</small>		<small>DWG. NO.</small>	
A		1800610F	
		<small>REV</small>	
		B	

LINE DRAWING NOT FOR PRODUCTION PURPOSES



THIS DRAWING CONTAINS INFORMATION DEEMED PROPRIETARY TO DIXON BRASS AND IS TO BE USED ONLY FOR THE PURPOSE FOR WHICH IT IS SUBMITTED, AND FURTHER, SHALL NOT BE COPIED IN WHOLE OR IN PART WITHOUT EXPRESS WRITTEN PERMISSION FIRST OBTAINED FROM DIXON BRASS.			
UNLESS OTHERWISE SPECIFIED:			
DIMENSIONS ARE IN INCHES			
TOLERANCES:			
ANGLES: ±0°30'			
.X (±.015)			
.XX (±.010)			
.XXX (±.005)			
DIMENSIONS PER ANSI Y14.5			
 The Right Connection™	Dixon Brass Westmont, Illinois USA		DRAWN P. MONAGHAN APPROVED
	TITLE: REUSABLE MALE STEM		DATE 4/28/15 DATE
ECO NO.		DRAWING NOT REPRODUCED TO SCALE	
SIZE A	DWG. NO. 1820604S	REV D	