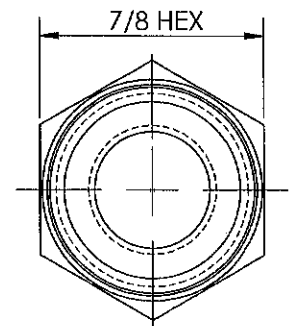
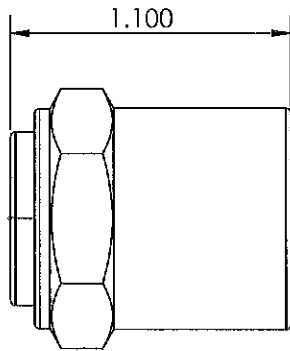
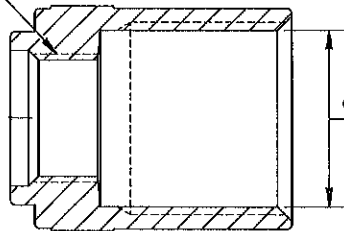


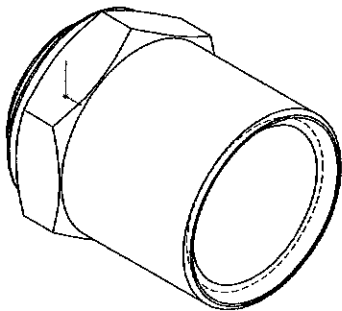
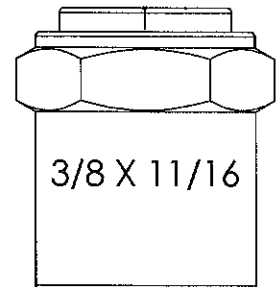
LINE DRAWING NOT FOR PRODUCTION PURPOSES




1/2 -20 UNF-2B
HOSE I.D. 3/8

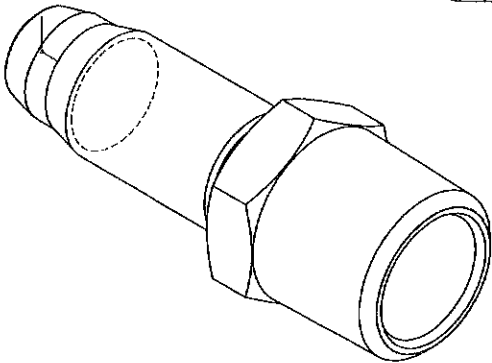
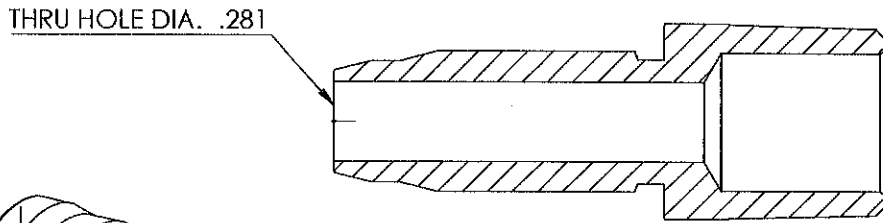
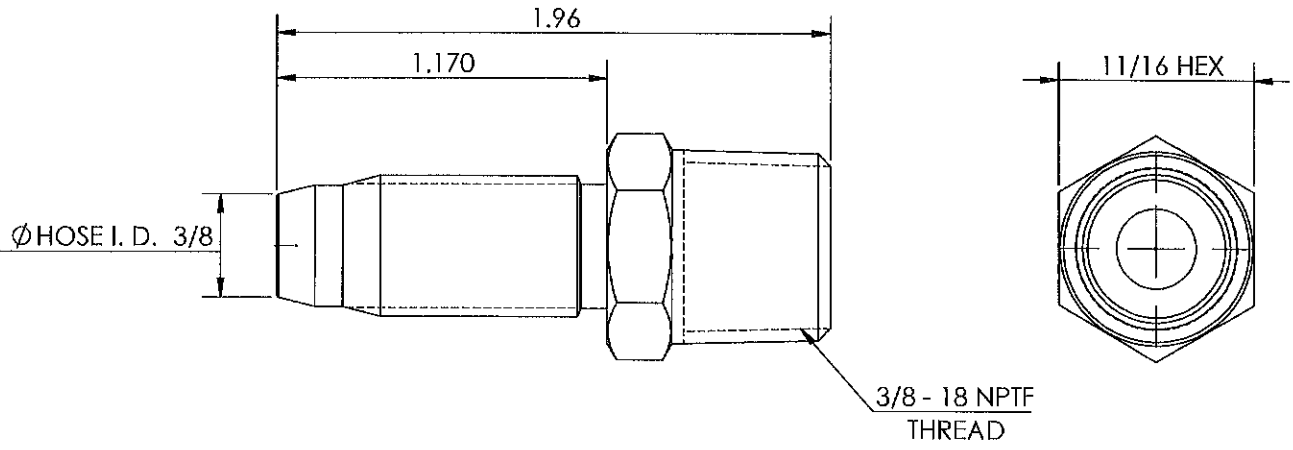



Ø HOSE O.D. 11/16



THIS DRAWING CONTAINS INFORMATION DEEMED PROPRIETARY TO DIXON BRASS AND IS TO BE USED ONLY FOR THE PURPOSE FOR WHICH IT IS SUBMITTED, AND FURTHER, SHALL NOT BE COPIED IN WHOLE OR IN PART WITHOUT EXPRESS WRITTEN PERMISSION FIRST OBTAINED FROM DIXON BRASS.			
UNLESS OTHERWISE SPECIFIED:			
DIMENSIONS ARE IN INCHES		 Dixon Brass Westmont, Illinois USA	DRAWN P. MONAGHAN DATE 4/17/15
TOLERANCES: ANGLES: ±0°30' .X (.015) .XX (.010) .XXX (.005) DIMENSIONS PER ANSI Y14.5			APPROVED DATE
TITLE: REUSABLE FERRULE		ECO NO.	DRAWING NOT REPRODUCED TO SCALE
SIZE: A	DWG. NO. 1800611F	REV: B	

LINE DRAWING NOT FOR PRODUCTION PURPOSES



THIS DRAWING CONTAINS INFORMATION DEEMED PROPRIETARY TO DIXON BRASS AND IS SO TO BE USED ONLY FOR THE PURPOSE FOR WHICH IT IS SUBMITTED, AND FURTHER, SHALL NOT BE COPIED IN WHOLE OR IN PART WITHOUT EXPRESS WRITTEN PERMISSION FIRST OBTAINED FROM DIXON BRASS.				
UNLESS OTHERWISE SPECIFIED:		 Dixon Brass Westmont, Illinois USA	DRAWN P. MONAGHAN	DATE 4/28/15
DIMENSIONS ARE IN INCHES TOLERANCES: ANGLES: $\pm 0^{\circ}30'$.X ($\pm .015$) .XX ($\pm .010$) .XXX ($\pm .005$) DIMENSIONS PER ANSI Y14.5			APPROVED	DATE
TITLE:		DRAWING NOT REPRODUCED TO SCALE		ECO NO.
REUSABLE MALE STEM		SIZE A	DWG. NO. 1820606S	REV D