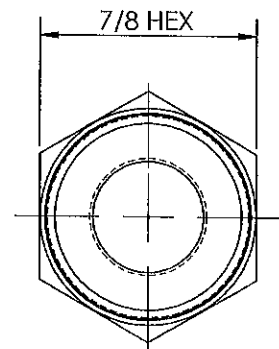
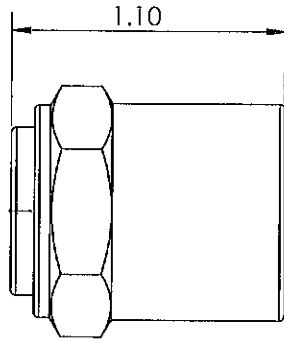
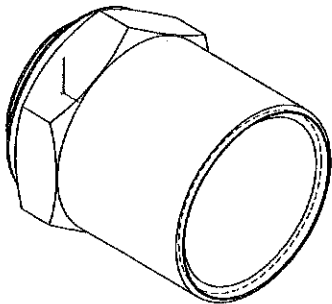
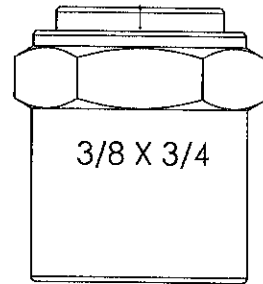
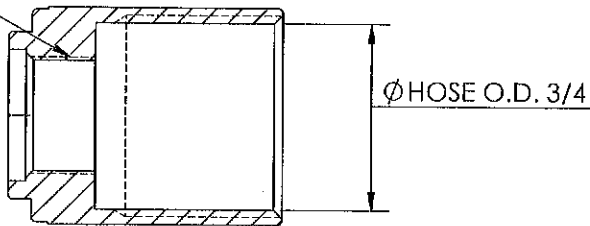



LINE DRAWING NOT FOR PRODUCTION PURPOSES

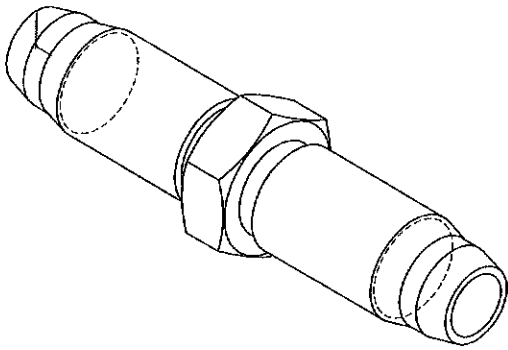
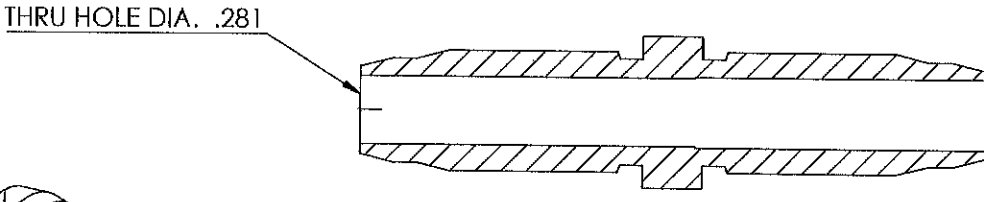
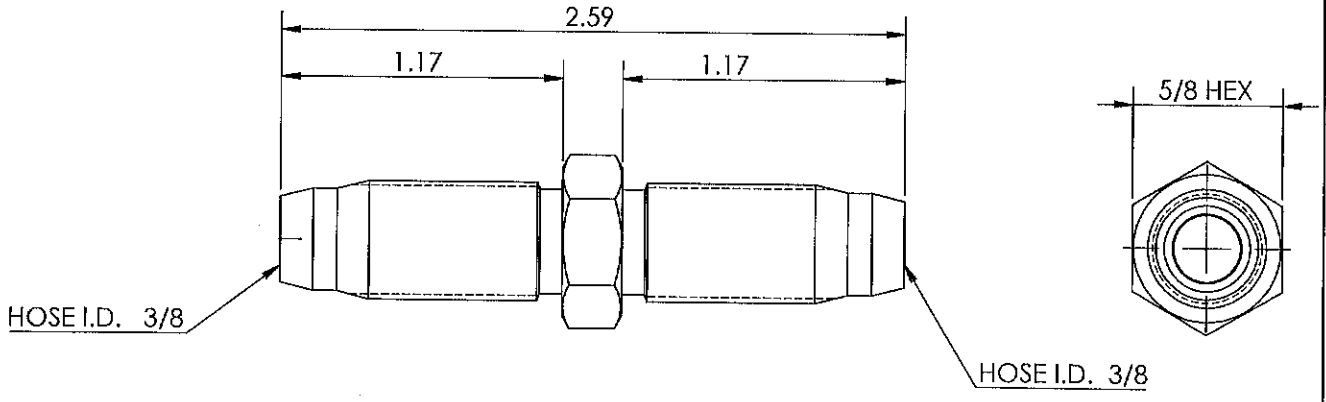



1/2 - 20 UNF 2B  
HOSE I.D. 3/8



<small>THIS DRAWING CONTAINS INFORMATION DEEMED PROPRIETARY TO DIXON BRASS AND IS TO BE USED ONLY FOR THE PURPOSE FOR WHICH IT IS SUBMITTED, AND FURTHER, SHALL NOT BE COPIED IN WHOLE OR IN PART WITHOUT EXPRESS WRITTEN PERMISSION FIRST OBTAINED FROM DIXON BRASS.</small> <small>UNLESS OTHERWISE SPECIFIED:</small>			
<small>DIMENSIONS ARE IN INCHES</small> <small>TOLERANCES:</small> <small>ANGLES: ±0°30'</small> <small>.X (±.010)</small> <small>.XX (±.010)</small> <small>.XXX (±.005)</small> <small>DIMENSIONS PER ANSI Y14.5</small>	 <b>Dixon Brass</b> <small>Westmont, Illinois USA</small>	<small>DRAWN</small> <small>P. MONAGHAN</small> <small>APPROVED</small> <small>ECO NO.</small>	<small>DATE</small> <small>10/9/14</small> <small>DATE</small> <small>DRAWING NOT REPRODUCED TO SCALE</small>
<small>TITLE:</small> RE - USABLE FERRULE		<small>SIZE</small> <b>A</b>	<small>DWG. NO.</small> 1800612F
		<small>REV</small> <b>B</b>	

LINE DRAWING NOT FOR PRODUCTION PURPOSES



THIS DRAWING CONTAINS INFORMATION DEEMED PROPRIETARY TO DIXON BRASS AND IS SO TO BE USED ONLY FOR THE PURPOSE FOR WHICH IT IS SUBMITTED, AND FURTHER, SHALL NOT BE COPIED IN WHOLE OR IN PART WITHOUT EXPRESS WRITTEN PERMISSION FIRST OBTAINED FROM DIXON BRASS.			
UNLESS OTHERWISE SPECIFIED:			
DIMENSIONS ARE IN INCHES	 <b>Dixon Brass</b> Westmont, Illinois USA <i>The Right Connector™</i>	DRAWN P. MONAGHAN	DATE 4/30/15
TOLERANCES: ANGLES: ±0°30' .X (±.010) .XX (±.010) .XXX (±.005)		APPROVED	DATE
DIMENSIONS PER ANSI Y14.5	TITLE: <b>REUSABLE HOSE SPLICER</b>	ECO NO.	DRAWING NOT REPRODUCED TO SCALE
	SIZE <b>A</b>	DWG. NO. 1860606S	REV D