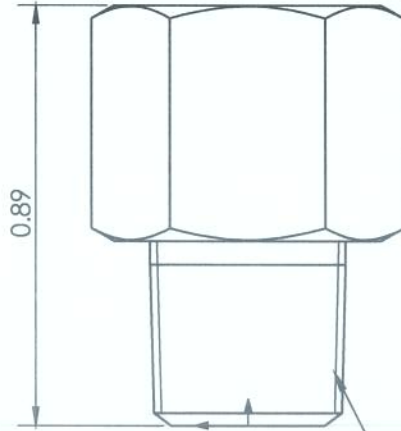
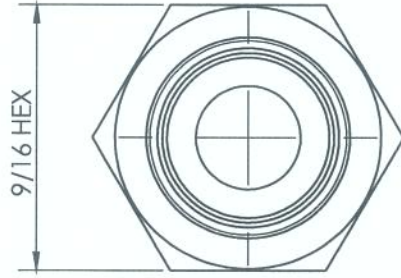


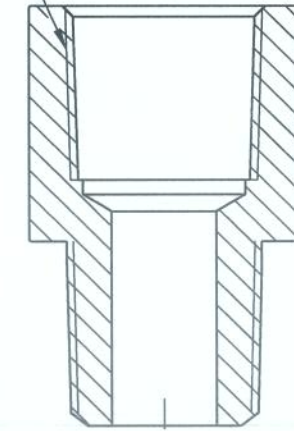
LINE DRAWING NOT FOR PRODUCTION PURPOSES



1/8 - 27 NPTF



9/16 HEX



1/8 - 27 NPTF

MATERIAL 9/16 HEX ALLOY 353 BRASS

This drawing is owned by Dixon Valve & Coupling Co. and shall be returned upon demand. It is loaned on condition that it shall not be copied or reproduced or submitted to others without the owner's consent. In accepting it, subject to this condition, the recipient further agrees that this drawing or any design detail or concept disclosed herein shall not be used in any way detrimental to or in competition with the owner. If the recipient does not agree to these terms, the recipient shall immediately return this drawing to the owner. The information contained in this drawing is subject to change without notice.



**Dixon Brass**  
Westmont, Illinois USA

DATE	8/15/17
DRAWN	HENRY B.
APPROVED	
ECO NO.	

DO NOT SCALE THIS DRAWING	
SIZE	DWG. NO.
A	3750202C
REV	A

TITLE:  
1/8 X 1/8  
NPTF ADAPTER