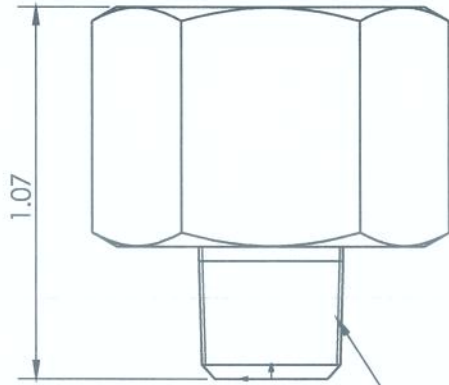
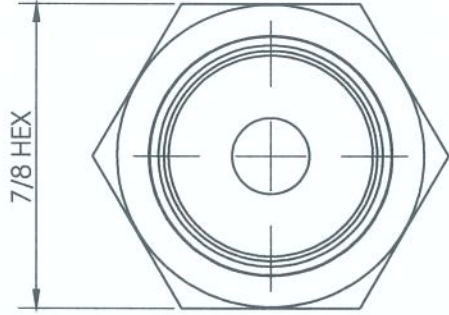
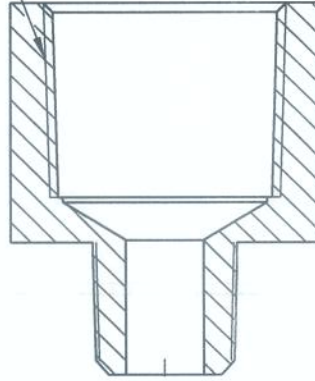


LINE DRAWING NOT FOR PRODUCTION PURPOSES



1/8 - 27 NPTF

3/8 - 18 NPTF



MATERIAL 7/8 HEX ALLOY 353 BRASS

This drawing is owned by Dixon Valve & Coupling Co. and shall be returned upon demand. It is loaned on condition that it shall not be copied or reproduced or submitted to others without the owners consent. In accepting it, subject to this condition, the recipient further agrees that this drawing or any design detail or concept disclosed herein shall not be used in any way detrimental to or in competition with the owner. If the recipient does not agree to these conditions, the recipient shall immediately return this drawing to the owner. The information contained in this drawing is subject to change without notice.



**Dixon Brass**  
Westmont, Illinois USA

DATE 8/16/17  
DRAWN BY HENRY B.  
APPROVED

DATE

ECO NO.

DO NOT SCALE THIS DRAWING

SIZE DWG. NO. REV  
**A** 3750602C **A**

TITLE: 1/8 X 3/8  
NPTF ADAPTER