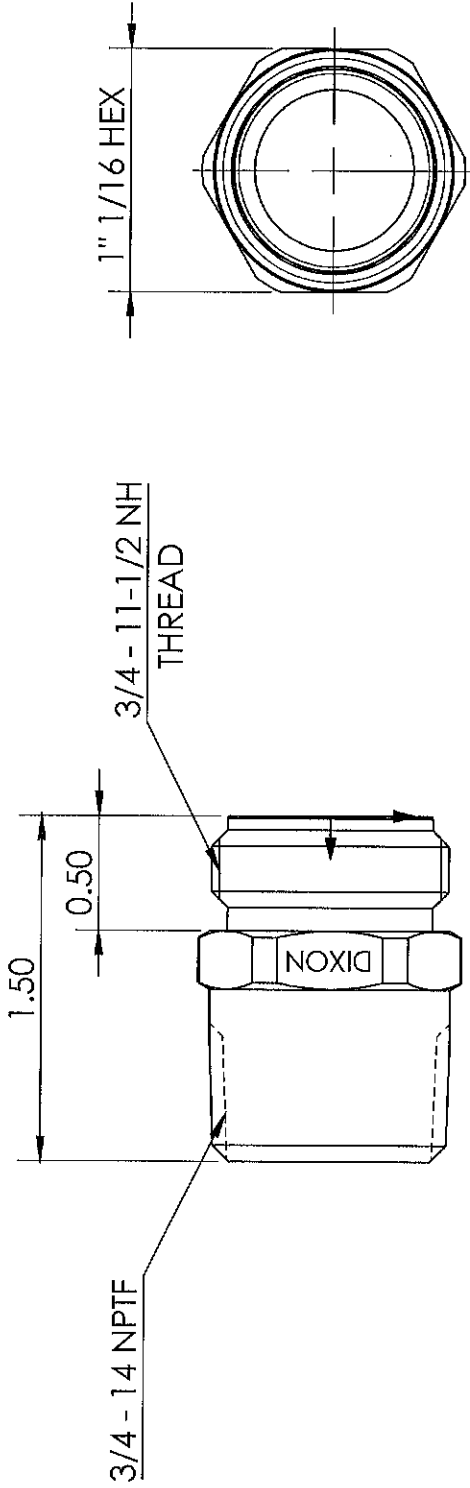
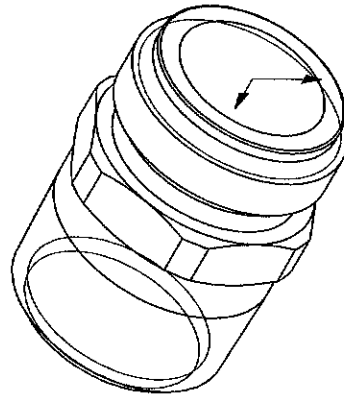



LINE DRAWING NOT FOR PRODUCTION PURPOSES



1/2 - 14 NPTF



MATERIAL ALLOY 2754 LEAD FREE BRASS

 Dixon Brass Westmont, Illinois USA	DRAWN P. MONAGHAN	DATE 10/25/19
	APPROVED	DATE
ECO NO.		
DO NOT SCALE THIS DRAWING		
TITLE: 3/4 NH X 3/4 - 14 NPTF X1/2 - 14 NPTF	SIZE A	DWG. NO. 5141212CLF
		REV A

This drawing is owned by Dixon Valve & Coupling Co. and shall be returned upon demand. It is loaned on condition that it be used only for the recipient's internal use and shall not be reproduced, copied, or distributed without the recipient's written consent. In accepting it, subject to this condition, the recipient agrees to indemnify and hold the originator harmless from and against all claims, damages, losses, and expenses, including reasonable attorney's fees, that may be incurred by the originator as a result of the recipient's use of this drawing. If the recipient does not agree to the terms of this agreement they shall return this drawing immediately. The information contained in this drawing is subject to change without notice.