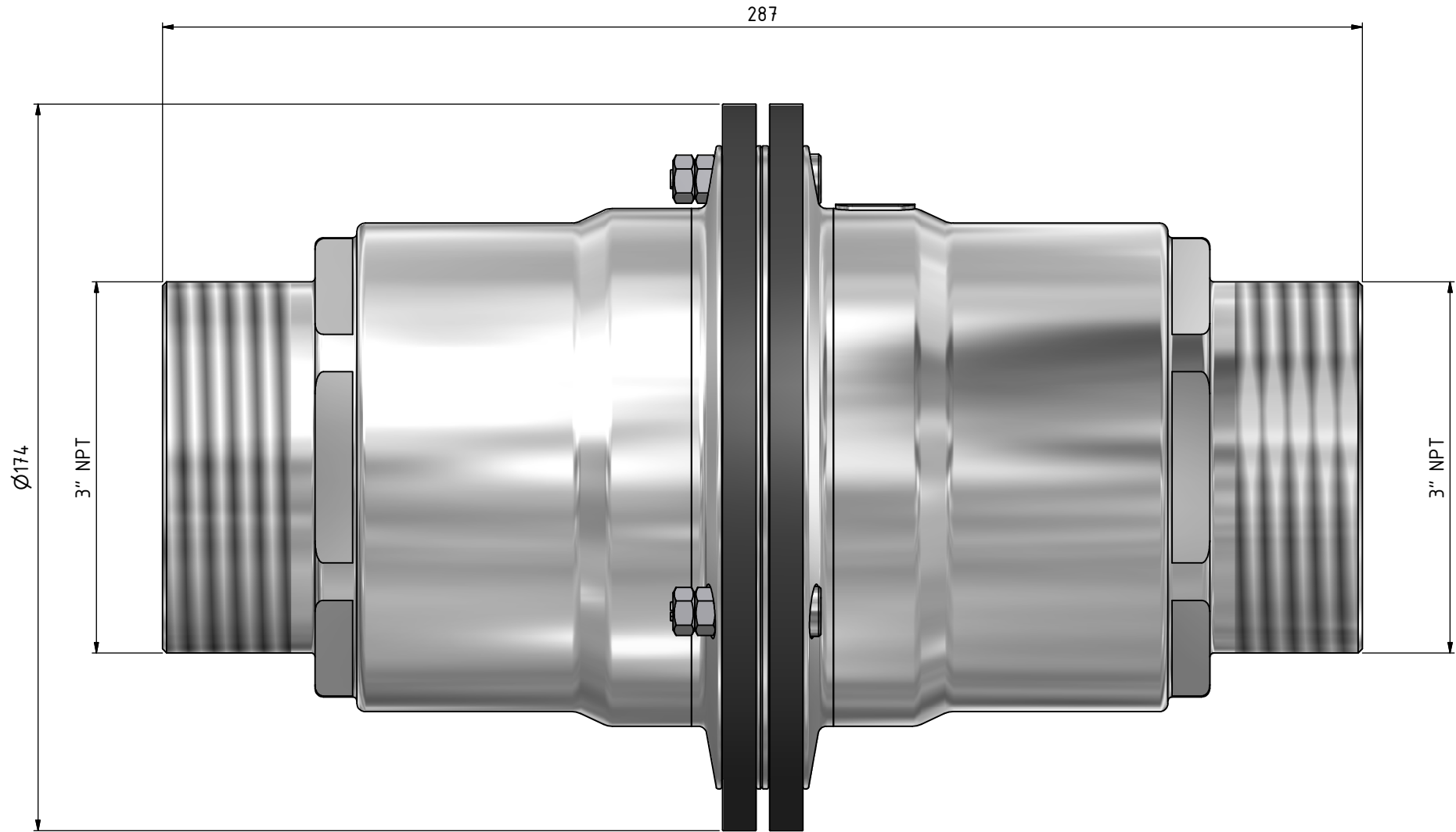



Notice: This drawing contains proprietary information and shall not be used or reproduced or its contents disclosed in whole or in part, without the prior written consent of the Mann-Technik AB



Dimensions are in metric.

|   |                                 |                    |  |                     |
|---|---------------------------------|--------------------|--|---------------------|
| Detail No:  | Material                        | Ämne/Blank         | Ytbeh./Treatment   | Vikt/Weight         |
|  | Designed/drawn by<br>G. Kopplin | Scale:<br>1:1      | Dimension with no tolerances acc to<br>Machined SS-ISO 2768-1 medium<br>Weld Forge SS-ISO 2768-1 coarse<br>Surface roughness ISO 1302<br>Form & position tol SS ISO 1101 |                     |
|   | Checked<br>P. Nyberg            | Date<br>2009-07-16 |  |                     |
|   | Approved<br>T. Mann             |                    |  |                     |
| <b>Industrial Break-Away 3"</b><br>Connection: 3" NPT male                            |                                 |                    | Data nr./Comp No.  | Blad/Sheet<br>1 / 1 |
|   |                                 |                    | Drawing No.<br><b>N483D4401-1</b>  | Rev.                |

|     |                    |      |       |         |
|-----|--------------------|------|-------|---------|
| NO. | Revision comprises | Date | Sign. | Appr by |
|-----|--------------------|------|-------|---------|